



LIGHTPLANE 5R

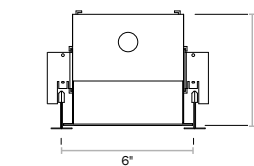
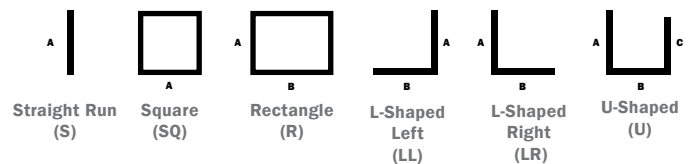
LP5R | RECESSED



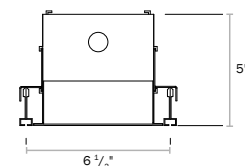
SPECIFICATIONS

PROFILE	5" Aperture
SIZES	Configurable in linear shapes and straight run sections
LED OUTPUT	Linear: 600 - 1050 lm/ft Downlights: 800 - 1500 lm/ft
CCT/CRI	2700K/3000K/3500K/4000K • 80 or 90 CRI
DIMMING/DRIVER	Integral and Remote driver: 0-10V, DALI, DMX, eidoLED, Lutron®, PoE (Molex, Igor, NuLEDs). Dimming to 0% for select models.
POWER	Linear: 5.3 - 9.1 w/ft Downlights: 5.1 - 10.5 w/spot
INPUT	120VAC, 277VAC, or 347VAC
OPTICS	Direct lambertian
FINISHES	16 standard finishes available at no extra charge Custom finishes available
MATERIAL	6061 Extruded Aluminum
ENVIRONMENT	Dry or damp locations

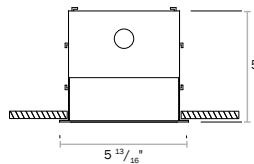
DISTRIBUTIONS & PROFILES



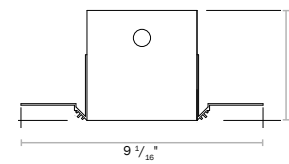
LP5RT
TGRID, ATZ/TGRID



LP5RT
SLOT



LP5RT
DRY



LP5RMUD
DRY

Not to scale. Dimensions are nominal. Consult factory for CAD drawing



*Safety and Performance information available on last page. Output and other specifications available on page 7.



PRODUCT SUBMITTAL WORKSHEET

1	2	3	4	5	6	7	8	9	10	11	12	13a	13b
---	---	---	---	---	---	---	---	---	----	----	----	-----	-----

EXAMPLE: LP5RT – DRY – SQ25 – LOW/80/3000K – DMX – EXT/F – N – SNT – N – N – SW – UNV – EMB/4 – WLNx

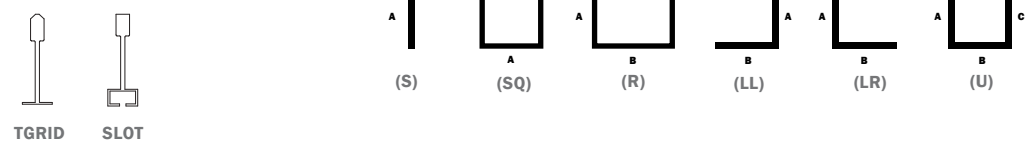
1. BASE MODEL (CHOOSE 1)	2. CEILING TYPE (CHOOSE 1)	3. SHAPE/LENGTH (CHOOSE 1 & ENTER LENGTH IN FEET) – FOR CUSTOM ANGLES, CONTACT ALW
---------------------------------	-----------------------------------	---

<p>LP5RT 5" Trimmed with Flush Lens</p> <p>LP5RTRL 5" Trimmed with Regressed Lens</p> <p>LP5RMUD 5" Trimless, Mud-in with Flush Lens</p> <p>LP5RHF 5" Trimless, Hidden-flange with Flush Lens</p>	<p>DRY Drywall</p> <p>TGRID T-Grid</p> <p>SLOT Slot</p> <p>ATZ/TGRID^{3,4} Armstrong® T-Grid</p> <p>ATZ/SLOT^{3,4} Armstrong® Slot (Not Compatible only with LP5RT base model)</p>	<p>S_ Individual/Straight Run Section (<i>enter length in product code above, ex. S5</i>)</p> <p>SQ_ Square Configuration (<i>enter side length A, ex. SQ5</i>)</p> <p>R_ Rectangular Configuration (<i>enter side lengths A and B, ex. R5-7</i>)</p> <p>LL_ L-Shaped, Left Configuration (<i>enter side lengths A and B, ex. LL5-7</i>)</p> <p>LR_ L-Shaped, Right Configuration (<i>enter side lengths A and B, ex. LR5-7</i>)</p> <p>U_ U-Shaped Configuration (<i>enter side lengths A, B, and C, ex. U5-7-4</i>)</p>
---	---	---

³Compatible only with DRY ceiling type
⁴Not compatible with DRY ceiling type

³Fits Armstrong 4" TechZone
⁴All product and company names are trademarks or registered trademarks of their respective holders. Use of them does not imply any affiliation with or endorsement by them.

⁵Lengths are nominal and may vary based on lamping and other specification selections. Consult ALW when exact lengths are required.
⁶Shape orientation (Looking from the Ceiling down to the floor).



4. LED LAMPING (CHOOSE 1 FOR EACH)	5. DRIVER⁷ (CHOOSE 1)	6. LENS	7. ACCENT – DOWNLIGHT (CH. 1 FOR EACH)
---	---	----------------	---

<p>A. OUTPUT</p> <p>LOW (600 lm/ft) 80 2700K (90 CRI Only)</p> <p>MED (825 lm/ft) 90 3000K</p> <p>HI (1050 lm/ft) 3500K</p> <p>TUNE (2700K-6500K, 80CRI) 4000K</p> <p>RGB (122lm/ft)</p> <p>RGBW (White Chip: 3500K, 80CRI)</p> <p>---- (Custom. Enter lumens in product code above. Ex. 0100=100lm/ft)</p>	<p>B. CRI⁵ C. CCT⁶</p>	<p>V00 (0-10V, dim to 0%)</p> <p>V01 (0-10V, dim to 1%)</p> <p>V05 (0-10V, dim to 5%)</p> <p>LDE1 (Lutron ECOSYS1, 0-10V, dim to 1%)</p> <p>TSERIES (Lutron tuneable white)</p> <p>DALI (DALI, dim to 0%)</p> <p>DMX (DMX, dim to 0%)</p> <p>POEM (POE Molex)</p> <p>POEI (POE IGOR)</p> <p>POEN (POE Nuleds)</p> <p>POE⁷ (POE Ready)</p>	<p>EXT/F Extra diffuse, flush</p> <p>N No Downlights</p> <p>A. SPOT</p> <p>DL800 (800 lm) 80 2700K</p> <p>DL1000 (1000 lm) 90 3000K</p> <p>DL1500 (1500 lm) 3500K 4000K</p> <p>D. BEAM SPREAD</p> <p>25</p> <p>40</p>
--	--	---	--

⁵CRI not applicable for TUNE, RGB, or RGBW lamping.
⁶CCT not applicable for TUNE, RGB, or RGBW lamping.

⁷See "Driver", "Sensor" and lamping charts for driver details and sensor compatibility. request to assist with control system integration.
⁸Choose desired PoE solution not listed. Contact customer service to review and confirm the PoE system of your choice.

8. ACCESSORY – ACCENT DOWNLIGHT (CH. 1)	9. DRIVER – ACCENT DOWNLIGHT⁸	10. QUANTITY – ACCENT DOWNLIGHT (CHOOSE 1)	11. FINISH⁹ (CHOOSE 1)
--	---	---	--

<p>N (None)</p> <p>HEX (Hexcell Louver)</p> <p>SNT (Snoot)</p> <p>HEXSNT (Hexcell Louver and Snoot)</p> <p>HEXCELL LOUVER</p> <p>SNOOT</p>	<p>N (None)</p> <p>---- (Same as Driver - Primary)</p> <p>⁸Select none or same driver as step 5. ⁹See "Driver", "Sensor" and lamping charts for driver details and sensor compatibility.</p>	<p>N (None)</p> <p>---- Enter total quantity of downlights per run length. (Maximum 1x for 2-3ft., 2x for 4-5ft., and 3x for 6-8ft.)</p>	<p>STANDARD FINISHES</p> <p>SW <input type="checkbox"/> Satin White</p> <p>SB <input checked="" type="checkbox"/> Satin Black</p> <p>AS <input type="checkbox"/> Aluminum Silver Anodized Effect</p> <p>TB <input checked="" type="checkbox"/> Textured Black</p> <p>PREMIUM FINISHES</p> <p>--- See chart on page 5 for premium finishes. Manually type in the finish code (Ex: OB = Oil-Rubbed Bronze)</p> <p>SPECIAL ORDER FINISHES⁹</p> <p>RAL---- Specify RAL Classic Color (Ex: RAL 3003)</p> <p>CCM---- Custom Color Match</p> <p>⁹Manually type in the finish code for special order finishes types</p>
--	--	---	--

CONTINUES ON NEXT PAGE

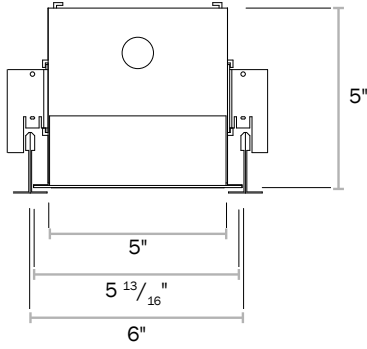


PRODUCT SUBMITTAL WORKSHEET

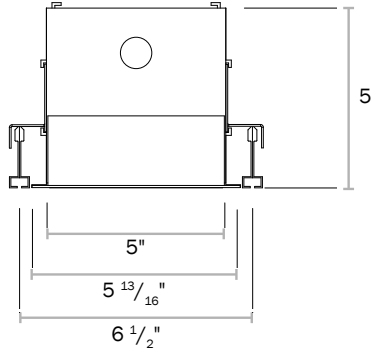
12. VOLTAGE (CHOOSE 1)	13a. EMERGENCY OPTIONS (OPTIONAL, CH. 1)	13b. SENSOR OPTIONS* (OPTIONAL, CHOOSE 1)
UNV Universal Voltage (120VAC-277VAC) 347 347 Volt (Driver options may be limited. Not available with EMB)	EMB/___ ⁸ Emergency Battery (indicate QTY – each battery powers 4ft. section @ 1492lm. Not available in 347 V) EMC/___ ⁸ Emergency Circuit (indicate QTY of 4ft sections to be illuminated by emergency circuit)	N (None) WLN/INT/___ (Cooper Wavelinx, integral) WLN/___ (Cooper Wavelinx, remote) ENLGT/___ (Enlighted, remote) ENLGT/INT/___ (Enlighted, integral) VRF/___ (Lutron Vive, integral) VDO/___ (Lutron Vive, integral+ occ/ daylight sensor) FCJS/___ (Lutron, remote) FCJS/S/___ (Lutron, remote + occ/ daylight sensor) MLX/INT/___ (Molex POE, integral)
	⁸ Consult ALW for available options.	MLX (Molex POE, remote) NLT/INT/___ (nLight wired, integral occ/ daylight sensor) NLT (nLight wired remote connection) NLTAIR/INT/___ (nLight AIR, integral) NLTAIR (nLight AIR, remote connection) OS/PH/INT/___ (Acuity 0-10VDC integral occ/ daylight sensor) OS/INT/HV/___ (Legrand Wattstopper High Voltage integral occ/daylight sensor) OS/PH/HV/___ (Hubbel WASP remote occ/ daylight sensor)
		[*] Quickship availability on occupancy and photocell/daylight sensors may vary. Contact ALW for more information. [†] Default quantity is 1 sensor per 8ft, type alternate quantity into product code above if desired. Sensor descriptions available on page 7. [‡] Not all sensors are compatible with all drivers. See 'Driver', 'Sensor' and lamping charts for driver details and sensor compatibility.



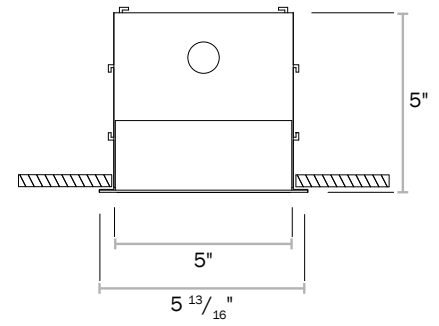
MECHANICAL DIAGRAMS



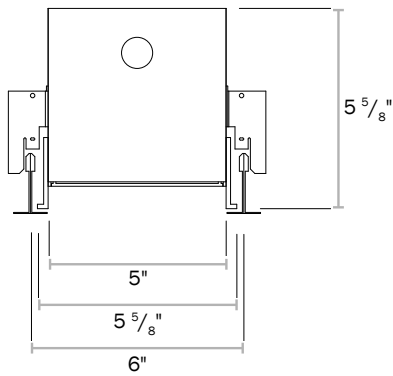
LP5RT
TGRID, ATZ/TGRID



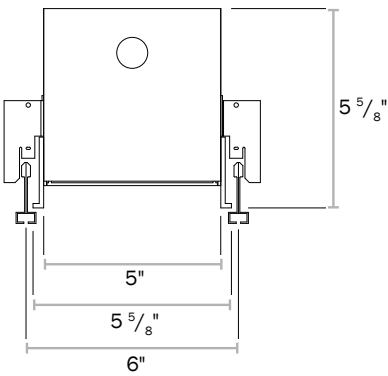
LP5RT
SLOT



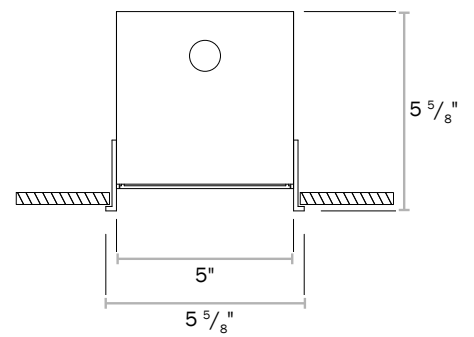
LP5RT
DRY



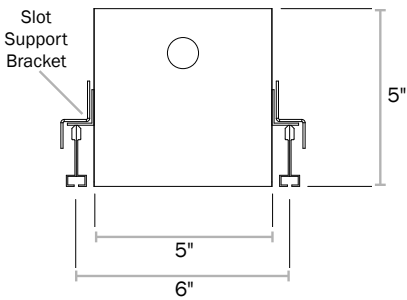
LP5RTL
TGRID or ATZ/TGRID



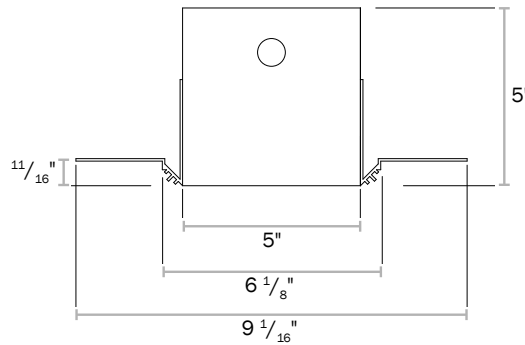
LP5RTL
SLOT or ATZ/SLOT



LP5RTL
DRY



LP5RHF
TGRID, ATZ/TGRID,
SLOT, or ATZ/SLOT



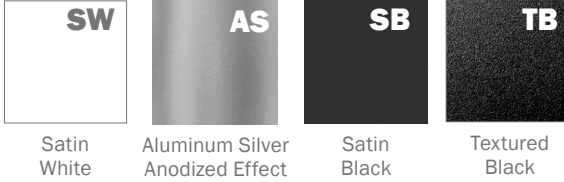
LP5RMUD
DRY



FINISHES

Standard finishes are available at no additional charge.

STANDARD FINISHES

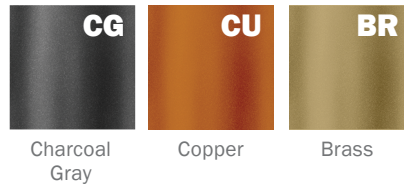


PREMIUM FINISHES

BASIC POWDER COAT



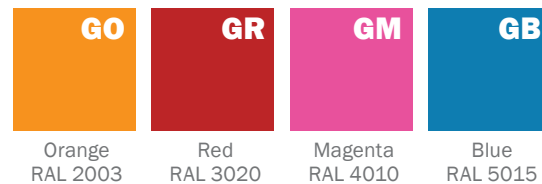
METALLIC POWDER COAT



SATIN ANODIZED EFFECT POWDER COAT



GLOSS POWDER COAT (80-95% GLOSS)



Contact ALW Quotes for sample paint finish swatches.

SPECIAL ORDER FINISHES*



RAL CLASSIC COLORS (80-95% GLOSS): RAL_ _ _ _

Most RAL Classic Colors are available for a minimum setup fee. On your specification submittal choose your RAL color by entering the 4-digit RAL code (Ex: RAL 3003). See www.alw-inc.com/resources/finishes



CUSTOM COLOR MATCH: CCM_ _ _ _

Custom powder coat color matching is available for a premium setup fee. Consult ALW for additional information.

*An individual setup fee will apply to each unique Special Order Finish per purchase order.
(ex: RAL 5023 and RAL 2008 are specified for multiple line items on a purchase order. 2x setup fees will apply)

*Printed or on-screen colors are only approximations - consult actual Color Chip Set before specifying



PERFORMANCE DETAILS — DIRECT OR INDIRECT LAMPING

OUTPUT	DELIVERED LUMENS (LM/FT)	WATTS (W/FT)	EFFICACY (LM/W)	CRI OPTIONS	CCT OPTIONS
LOW⁹	600	5.3	Up to ~115	80 90	2700K (90CRI Only) 3000K 3500K 4000K
MED⁹	825	7.2			
HI⁹	1050	9.1			
TUNE	WW: 416 CW: 458 Total: 874	8.8	Up to ~104	N/A	2700K-6500K
RGB¹⁰	RGB: 122	4.4	N/A		N/A
RGBW¹⁴	RGB: 122 RGB+W: 317 White Only: 195	4.4		80 (White Chip)	3500K (White Chip)

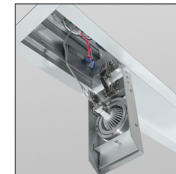
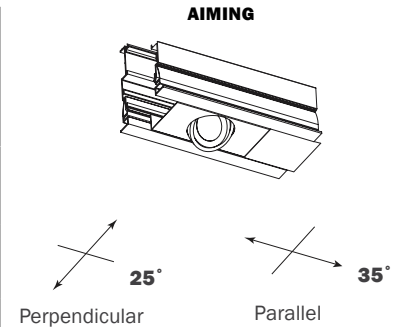
⁹Performance calculations are based on the following LM-79 test: 4000K, 80CRI, HIGH output. MED and LOW values are extrapolated distributions.

¹⁰Performance calculations are derived from LM-79 test with all RGB LEDs illuminated (Red, Green, Blue).

¹¹Performance calculations are derived from the following LM-79 tests: 1) RGB LEDs illuminated, 2) RGB+W LEDs illuminated, 3) White LED only illuminated.

PERFORMANCE DETAILS — ACCENT/DOWNLIGHT LAMPING

SPOT	DELIVERED LUMENS (LM)	WATTS (W)	EFFICACY (LM/W)	CRI	CCT OPTIONS	BEAM SPREAD OPTIONS (DEGREES)
DL800	800	5.1	157	80 90	2700K 3000K 3500K 4000K	25 40
DL1000	1000	6.7	150			
DL1500	1500	10.5	143			



Downlights are centered in a 7.5" long, hinged panel that opens to provide access for lamp installation, replacement and/or maintenance.

SS110724-A.0



DRIVERS

PRODUCT CODE	DESCRIPTION
V00	0-10V dimming down to 0% (dim to off).
V01	0-10V dimming down to 1%.
V05	0-10V dimming down to 5% (Down to 10% for TUNE lamping).
LDE1	(LDE1) Lutron Hi-lume 1% EcoSystem LED driver with Soft-on, Fade-to-Black dimming technology.
TSERIES	Lutron T-Series Tunable White Class 2 LED Driver (For use with Lutron Quantum Control Systems)
DALI	DALI flicker-free dimming down to 0%.
DMX	DMX flicker-free dimming down to 0%.
POEM	Molex CoreSync PoE LED Driver. Contact ALW to assist with your project.
POEI	IGOR PoE LED Driver. Contact ALW to assist with your project.
POEN	NuLEDS PoE LED Driver. Contact ALW to assist with your project.
POE	PoE Ready LED Driver. Contact ALW to assist with your project.

*Most drivers can be programmed to specific dimming levels if desired. Contact ALW for specific dimming level requests. ALW lighting fixtures are intended for use with a wide range of sensors, lighting controls, LED drivers, and building management systems. If there are specific components required for your application that aren't listed on this spec sheet, please contact ALW customer support today to specify a compatible solution of your choice.

DRIVER/LED LAMPING COMPATIBILITY						
	STD	TUNE	RGB	RGB(W)	CA TITLE 24 JA8/JA10 ¹²	IEEE P1789 & HD TV STUDIO ¹³
V00	●	●			●	
V01	●	●			●	
V05	●	●			●	
LDE1	●				●	●
TSERIES		●			●	●
DALI	●	●			●	
DMX	●	●		●	PER REQUEST	PER REQUEST
POEM			PER REQUEST		●	●
POEI			PER REQUEST		●	●
POEN			PER REQUEST		●	●

● - Indicates compatibility

*Standard lamping (STD) – LOW/MED/HI

¹²Fixtures specified with 90CRI, 3000K, 3500K, and 4000K lamping with applicable LED drivers have the ability to conform to California Title 24 JA8 and JA10 Appendices

¹³The following drivers conform to IEEE P1789 Flicker Standard: 'IEEE Recommended Practices for Modulating Current in High-Brightness LEDs for Mitigating Health Risks to Viewers'. These drivers may also be installed in HD TV Studio applications utilizing high frequency camera equipment.



SENSORS

	PRODUCT CODE	DESCRIPTION	Location
	N	None. Choose when sensors are not desired.	-
COOPER WAVELINX	WLNx/INT	Wavelinx Wireless integral occ/daylight sensor (WaveLinx part: OEM-WAA)	Integral
	WLNx	Fixture is built with 0/10V wiring to connect to Wavelinx Wireless sensors and power/relay packs (sensors and equipment not provided by ALW)	Remote
ENLIGHTED™	ENLGHt/INT	Enlighted integral connected lighting smart sensor - occ/daylight/networking (Enlighted Part: SU-5E-CL)	Integral
	ENLGHt	Enlighted® remote connected lighting smart sensor - occ/daylight/networking (Enlighted Part: SU-5S-H-CL)	Remote
LUTRON VIVE	VRF	Lutron® Vive integral RF wireless fixture control (Lutron Part: DFCSJ-OEM-RF)	Integral
	VDO	Lutron® Vive integral RF wireless fixture control + daylight/occ sensor (Lutron Part: DFCSJ-OEM-OCC)	Integral
	FCJS	Lutron® Vive remote RF wireless fixture control (Lutron Part: FCJS-ECO or FCJS-010)	Remote
	FCJS/S	Lutron® Vive remote RF wireless fixture control + daylight/occ sensor (Lutron Part: FCJS-ECO or FCJS-010, & FC-Sensor)	Remote
MOLEX POE CORESYNC	MLX/INT	Molex CoreSync PoE Integral Fixture-Mounted Sensor R - occ/daylight/temperature/humidity (Molex Part: 182091-1000)	Integral
	MLX	Molex PoE sensors for use with Molex/PoE drivers. Customer will need to determine who to purchase PoE equipment from	Remote
NLIGHT WIRED®	NLT/INT	Fixture is built with nLight Wired integral components specified by agency. Contact ALW to review project details.	Integral
	NLT	Fixture is built to connect to nLight Wired remote components specified by agency. Contact ALW to review project details.	Remote
NLIGHT WIRELESS®	NLTAIR/INT	Fixture is built with nLight Air (Wireless) components specified by agency. Contact ALW to review project details.	Integral
	NLTAIR	Fixture is built to connect to nLight Air (Wireless) remote components specified by agency. Contact ALW to review project details.	Remote
VALUE SENSORS	OS/PH/INT	Acuity 0-10VDC Integral occ/daylight sensor (Acuity Part: MSD 7 ADC WH) Automated Dimming Functionality Only. Manual Dimming not available. Customer to set sensor functionality in the field. Lowest dim level depends on driver.	Integral
	OS/INT/HV	Legrand Wattstopper High Voltage Integral occ/daylight on/off sensor (Part: FS-355) On/Off or Manual Dimming Functionality Only (based on occupancy and daylight). Connect fixture 0/10V wires to wall dimmer in the field. No Automated Dimming available.	Integral
	OS/PH/HV	Hubbell WASP High Voltage 0-10V remote surface mount occ/daylight sensor. 120/277/347VAC input (Hubbell Part: WSPDSMUNV) Automated Dimming Functionality: Connect fixture 0/10V wires to sensor in the field. Adjust occ/photo cell settings as desired. On/Off or Manual Dimming Functionality: Turn photocell functionality OFF. Cap off 0/10V wires on sensor. Connect fixture 0/10V wires to wall dimmer in the field.	Remote

*All connected lighting sensors/systems must be programmed in the field by an electrical commissioner familiar with the system. Refer to the 'Sensor Compatibility' and 'Driver/Sensor Compatibility' charts to specify compatible sensors, LED lamping, and LED driver systems.



SENSORS CONT'D

SENSOR COMPATIBILITY								
PRODUCT CODE		SENSOR TYPE	MAX MT HT	CA TITLE 24	STD*	TUNE	RGB	RGB(W)
COOPER WAVELINX	WLN/INT	OCCUPANCY/PHOTOCELL	15 ft	●	●			
	WLN		15 ft	●	●			
ENLIGHTED™	ENLGT/INT	OCCUPANCY/PHOTOCELL	15 ft	●	●	CUSTOM REQUEST		
	ENLGT	OCCUPANCY/PHOTOCELL	40 ft	●	●	CUSTOM REQUEST		
LUTRON VIVE	VRF	WIRELESS CONTROL	12 ft	●	●			
	VDO	OCCUPANCY/PHOTOCELL	12 ft	●	●			
	FCJS	WIRELESS CONTROL	12 ft	●	●			
	FCJS/S/	OCCUPANCY/PHOTOCELL	12 ft	●	●			
MOLEX POE CORESYNC	MLX/INT	OCCUPANCY/PHOTOCELL TEMPERATURE/HUMIDITY	16 ft	●	●			
	MLX		16 ft	●	●	●	CUSTOM REQUEST	CUSTOM REQUEST
NLIGHT WIRED®	NLT/INT	OCCUPANCY/PHOTOCELL	15 ft	●	●			
	NLT		15 ft	●	●			
NLIGHT WIRELESS®	NLTAIR/INT	OCCUPANCY/PHOTOCELL	15 ft	●	●			
	NLTAIR		15 ft (average)	●	●			
VALUE SENSORS	OS/PH/INT	OCCUPANCY/PHOTOCELL	15 ft		●			
	OS/INT/HV	OCCUPANCY/PHOTOCELL	15 ft	●	●	■	■	■
	OS/PH/HV	OCCUPANCY/PHOTOCELL	45 ft	●	●	■	■	■

● - Indicates compatibility ■ - On/off sensor functionality only

*Standard lamping (STD) - MIN/LOW/MED/HI



SENSORS (CONT'D)

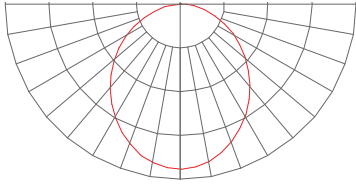
DRIVER/SENSOR COMPATIBILITY									
	WLNx/INT	WLNx	ENLGHt/ INT	ENLGHt	VRF	VDO	FCJS	FCJS/S /	MLX/INT
V00	●	●					●	●	
V01	●	●					●	●	
V05	●	●					●	●	
LDE1					●	●	●	●	
TSERIES									
DALI			●	●	●	●			
DMX									
POEM									●
POEI	Sensor types will depend on the PoE system configuration. Contact ALW for details.								
POEN	Sensor types will depend on the PoE system configuration. Contact ALW for details.								
POE	Sensor types will depend on the PoE system configuration. Contact ALW for details.								

- - Indicates compatibility
- ▲ - Fixture can have automated dimming via sensor OR on/off functionality and manual dimming
- - On/off sensor functionality only

DRIVER/SENSOR COMPATIBILITY CONT'D									
	MLX	NLT/INT	NLT	NLTAIR/INT	NLTAIR	OS/PH/INT	OS/INT/HV	OS/PH/HV	NO SENSOR
V00						●	■	▲	●
V01						●	■	▲	●
V05						●	■	▲	●
LDE1									●
TSERIES							■	■	●
DALI							■	■	●
DMX							■	■	●
POEM	●								●
POEI	Sensor types will depend on the PoE system configuration. Contact ALW for details.								
POEN	Sensor types will depend on the PoE system configuration. Contact ALW for details.								
POE	Sensor types will depend on the PoE system configuration. Contact ALW for details.								



PHOTOMETRICS

OPTIC	POLAR PLOT (CD)	MTG HEIGHT	LIGHT LEVEL (FC)	SPACING CRITERION (SC) ¹⁴ (0° - 180°) (90° - 270°)	MAX INTENSITY (CD)	OUTPUT (LM/FT)
EXT/F		6 ft	20.4	1.26 1.24	734	1050
		8 ft	11.5			
		10 ft	7.3			
		12 ft	5.1			
		14 ft	3.7			
		16 ft	2.9			

*Photometric calculations based on HI 4000K 80 CRI fixture combination. Actual results may vary in the field.
 For footcandle and output multipliers refer to the [ALW IES File Multipliers Chart](#)
¹⁴Spacing criterion refers to maximum distance luminaires can be spaced to provide uniform illumination on the working plane or surface.
 Luminaire spacing = Spacing Criterion (SC) x Mounting Height (MH) (ex. 1.14 (SC) x 10' (MH) = 11.4' Luminaire Spacing).



ADDITIONAL OPTIONS & SPECIFICATIONS

LED PERFORMANCE

For standard LOW-HI lampings: L70 > 54,000 hours.
Luminous flux +/- 5%.

HOUSING

100% recyclable, extruded architectural grade 6061 aluminum with a 0.08" minimum wall thickness.

LENS OPTIONS

Extruded, twin-layered, high-impact acrylic. EXT is a white and extra diffuse lens with minimal-to-no source visibility. Choose from flush or regressed.

SAFETY & REGULATORY

Fixtures specified with 90CRI, 2700K, 3000K, 3500K, and 4000K lamping with applicable LED drivers have the ability to conform to **California Title 24 JA8 and JA10** Appendices. EldoLED drivers can conform to IEEE P1789 Flicker Standard: 'IEEE Recommended Practices for Modulating Current in High-Brightness LEDs for Mitigating Health Risks to Viewers'.

Contact [ALW customer support](#) today and we can help you with your project requirements..

ETL Listed (U.S. & Canada). Suitable for dry or damp locations. Conforms to UL std. 1598, Luminaires. Certified to CSA std. C22.2#250.0:2008 Ed. 3+G1;G2. Recessed models are Type IC Rated and suitable for installation with direct contact to building insulation.

OPERATING TEMPERATURE

Luminaire should be installed and operated ONLY in environments where the ambient temperature ranges from -4 °F to 122 °F (-20 °C to 50 °C). Luminaire operation in environments outside the listed temperature range voids the warranty AND may damage the product or adversely impact lamp life, lumen output and color consistency.

WARRANTY

Limited 11 year warranty. Details: alw-inc.com/warranty

INTEGRAL DOWNLIGHTS

Optional, aimable accent downlights deliver 800-1500 lumens with a beam spread of 25° or 40°. Hex cell (HEX) and snoot (SNT) accessories are also available.



CONTROLS, SENSORS, & LED DRIVER

ALW lighting fixtures are intended for use with a wide range of sensors, lighting controls, LED drivers, and building management systems. Our component portfolio is continually expanding to adopt to the latest technologies and specification needs. We currently support integration with Lutron, Enlighted, EldoLED, nLight, Osram, Philips, and more. If there's a component or system needed that you don't see on the spec sheet please contact ALW customer support today so we can review your requirements.



CHICAGO PLENUM

Recessed fixtures for this product family are available to meet Chicago Plenum certification in continuous lengths up to 8ft. For Chicago Plenum options please contact ALW.

WEIGHT

Approximately 5.5 lbs. per linear foot (not including downlight option). Weight may vary depending on mounting, downlight, and additional options selected.