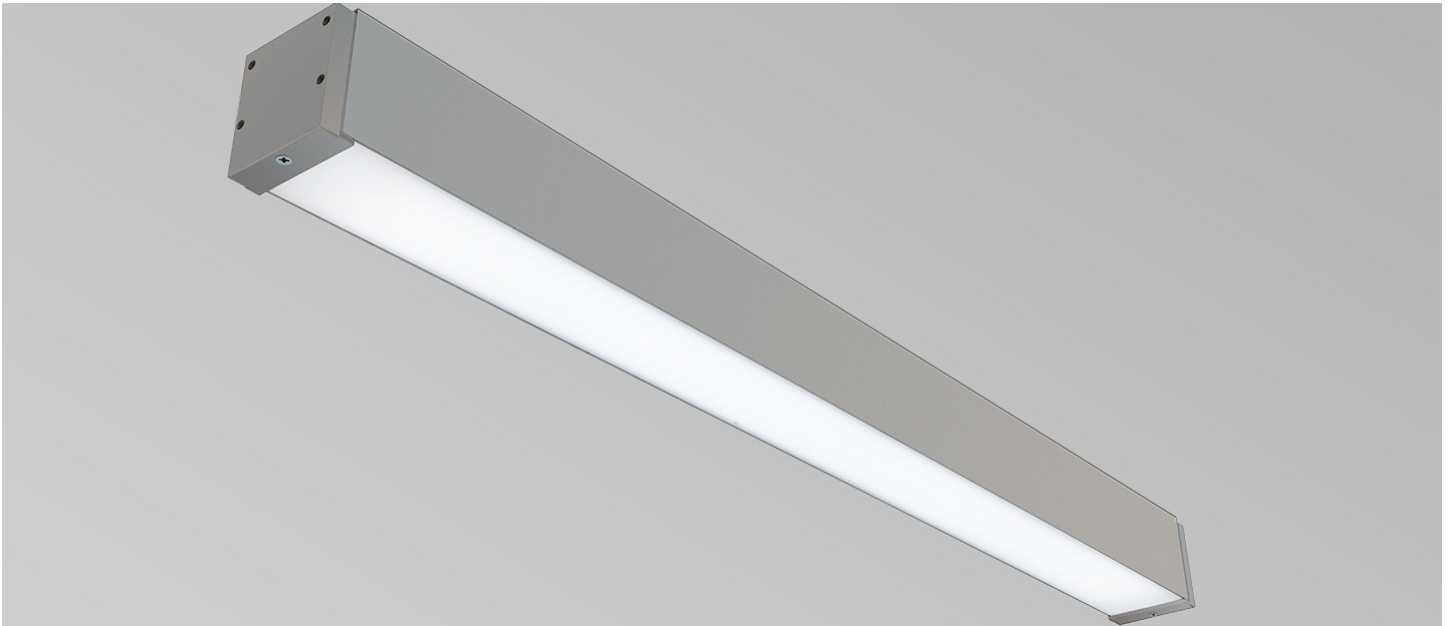




LIGHTPLANE 3.5WL

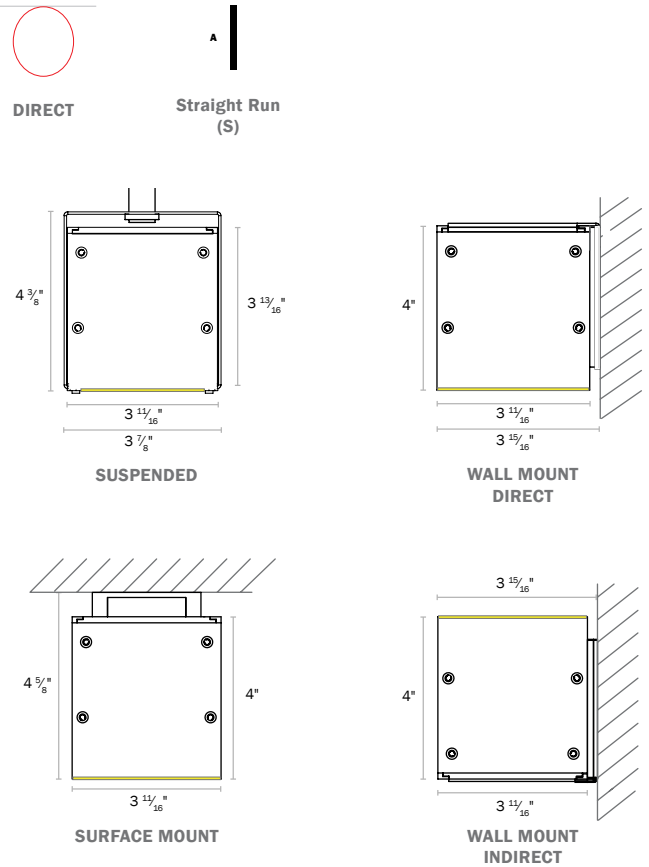
LP3.5WL | SUSPENDED, WALL, SURFACE – WET LOCATION



SPECIFICATIONS

PROFILE	3.5" Aperture
SIZES	Configurable in straight run sections up to 8ft.
LED OUTPUT	125lm/ft - 1,100lm/ft
CCT/CRI	2700K/3000K/3500K/4000K • 80 or 90+ CRI Tunable White (2700K – 6500K) • RGB and RGB+W
DIMMING/ DRIVER	Integral Driver: 0-10V, DALI, DMX, eldoLED, Lutron®, PoE (Molex, Igor, NuLEDs). Dimming to 0% for select models.
POWER	3.1W - 10.7W per ft
INPUT	120VAC, 277VAC, or 347VAC
OPTICS	Lambertian distribution.
FINISHES	16 powder coat finishes Custom finishes also available
MATERIAL	6061 Extruded Aluminum
ENVIRONMENT	Outdoor, wet location. IP66 rated.

DISTRIBUTIONS & PROFILES



Not to scale. Dimensions are nominal. Consult factory for CAD drawing

*Safety and Performance information available on last page. Output and other specifications available on page 5.



Rev 030725



PRODUCT SPECIFICATION SHEET

1	2	3a	3b	3c	4	5	6	7	8a	8b
---	---	----	----	----	---	---	---	---	----	----

EXAMPLE: LP3.5WDWL – S8 – HI/90/3500 – V00 – EXT/F – SW – UNV – EMB/1 – AY/xx

1 2 3 4 5 6 7 8A 8B

1. BASE MODEL (CHOOSE 1)		2. INDIVIDUAL LENGTH* (CHOOSE 1)		3. LED LAMPING (CHOOSE 1 FOR EACH)			4. DRIVER* (CHOOSE 1.)	
LP3.5SDWL ¹	3.5" Suspended, Stem-Mount Direct	S2	2' Individual/Straight Run Section	A. OUTPUT ⁴	B. CRI ⁵	C. CCT ⁶	V00	(0-10V, dim to 0%)
LP3.5WIWL ²	3.5" Wall-Mount, Indirect	S3	3' Individual/Straight Run Section	LOW	(635 lm/ft)	NO CRI/CCT ⁷	V01	(0-10V, dim to 1%)
LP3.5WDWL ²	3.5" Wall-Mount, Direct	S4	4' Individual/Straight Run Section	MED	(870 lm/ft)	80	V05	(0-10V, dim to 5%)
LP3.5SMBWL ²	3.5" Wall/Surface, Back-Mounted	S5 ³	5' Straight Run (Factory-Joined) Section	HI	(1100 lm/ft)	90	P01	(ELV/TRIAC Dim to 1%)
		S6 ³	6' Straight Run (Factory-Joined) Section	RGB	(125 lm/ft)	3000K	LDE1	(Lutron ECOSYS1, 0-10V, dim to 1%)
		S7 ³	7' Straight Run (Factory-Joined) Section	TUNE	(2700K-6500K, 90 CRI, 416/450 lm/ft)	4000K	TSERIES	(Lutron Tuneable White)
		S8 ³	8' Straight Run (Factory-Joined) Section	RGBW	(3500K, White, 80 CRI, 325 lm/ft)		ELDVO	(eidoLED, 0-10V, dim to 0%)
				CSTM	____ ⁵ (Enter lumens in product code above Ex. 0100=100lm/ft)		ELDDW	(eidoLED dim to warm)
							DALI	(DALI, dim to 0%)
							DMX	(DMX, dim to 0%)
							POEM	(POE Molex)
							POEI	(POE IGOR)
							POEN	(POE Nuleds)
							POE11	(POE Ready)

¹Wet location, Top-Side Power Feed.
²Wet location, End Cap Power Feed.

*Lengths are nominal and may vary based on lamping and other specification selections. Consult ALW when exact lengths are required.
³Sections are NOT field-joinable. Longest uninterrupted length is 4'. Longest joined length is 8'. Disassembling fixture will VOID warranty and compromise IP rating.

⁴For delivered lumens and watts, see 'Performance Details.'
⁵CRI/CCT options not applicable for TUNE, RGB, or RGBW lamping.
⁶Consult ALW for custom lumen packages.
⁷Choose when TUNE, RGB, or RGBW is desired output
⁸90CRI only.

*Driver specifications provided upon request. See page 6 for driver details.
*Refer to all 'Driver' and lamping charts for compatibility.
⁹Choose desired PoE solution not listed. Contact customer service to review and confirm the PoE system of your choice.

5. LENS* (CHOOSE 1.)	6. FINISHES* (CHOOSE 1)	7. VOLTAGE (CHOOSE 1)	8a. EMERGENCY OPTIONS (OPTIONAL, CHOOSE 1)
EXT/F Diffuse Lens, Flush	STANDARD FINISHES SW <input type="checkbox"/> Satin White SB <input checked="" type="checkbox"/> Satin Black AS <input type="checkbox"/> Aluminum Silver Anodized Effect TB <input checked="" type="checkbox"/> Textured Black PREMIUM FINISHES -- See chart on page 5 for premium finishes. Manually type in the finish code (Ex: OB = Oil-Rubbed Bronze) SPECIAL ORDER FINISHES* RAL ____ Specify RAL Classic Color (Ex: RAL 3003) CCM ____ Custom Color Match	UNV Universal Voltage (120VAC-277VAC) 347 347 Volt (Driver options may be limited. Not available with EMB)	EMB/___ ¹⁰ Emergency Battery (indicate QTY – each battery powers 4ft. section @ 1492lm. Not available in 347 V) EMC/___ ¹⁰ Emergency Circuit (indicate QTY of 4ft sections to be illuminated by emergency circuit)

8b. CONTROL OPTIONS* (OPTIONAL)

- N** None
- FACTORY CONTROLS**
- OS/PH/INT/___** Integral Occupancy/Daylight sensor
- OS/PH/HV/___** Remote Occupancy/Daylight sensor

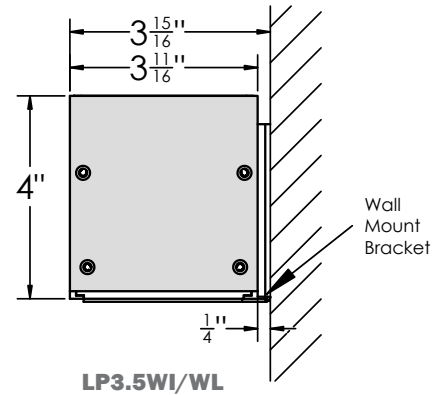
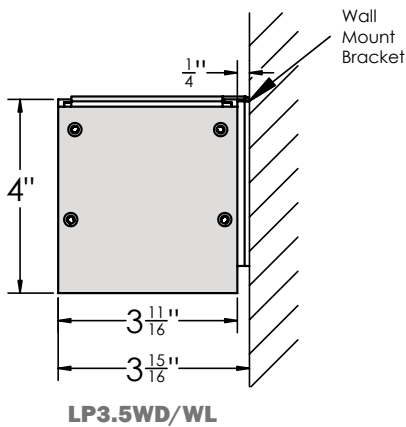
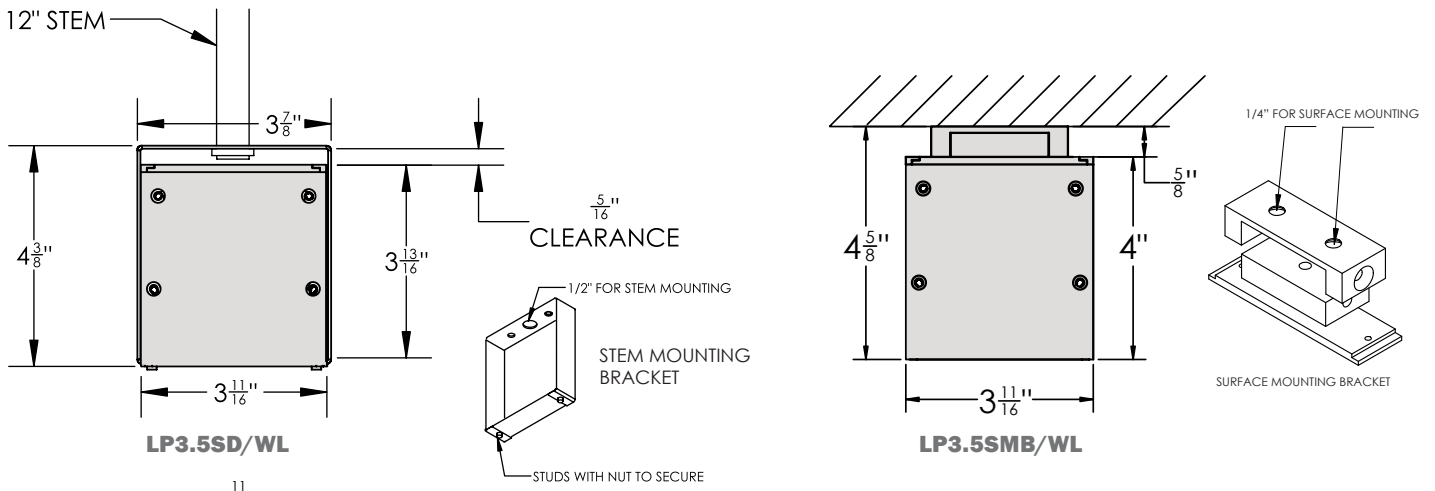
NETWORK CONTROLS
Embedded controls below are placeholder specs. See the ALW Controls Guide to finalize your final control spec.

- AY/xx** Acuity
AN/xx Avi-on
CA/xx Casambi
CW/xx/___ Cooper Wavelinx
EC/xx/___ Encelium
EN/xx/___ Enlighted
LU/xx/___ Lutron
NX/xx/___ NX Controls
WA/xx/___ Wattstopper

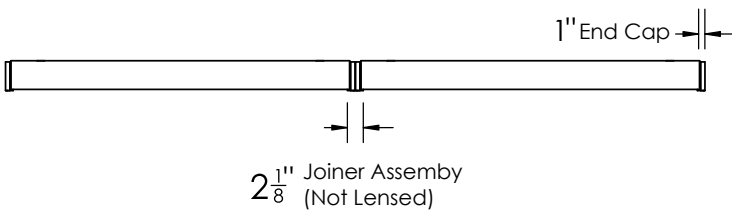
*Quickship availability on occupancy and photocell daylight sensors may vary. Contact ALW for more information.
*Contact ALW for Additional Zone specifications



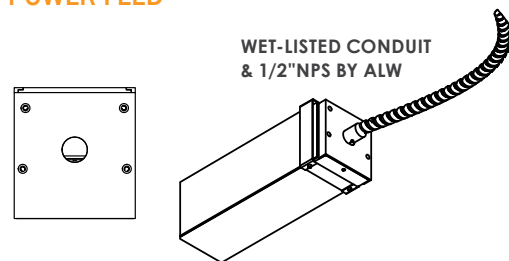
MECHANICAL DIAGRAMS



END CAP & FACTORY JOINER ASSEMBLY

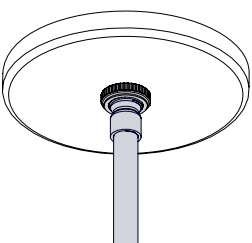


POWER FEED



Power feed location on end of fixture through the end cap for wall and surface mount.
Top-Side Power Feed is standard for suspended mounting.

SUSPENSION DETAILS



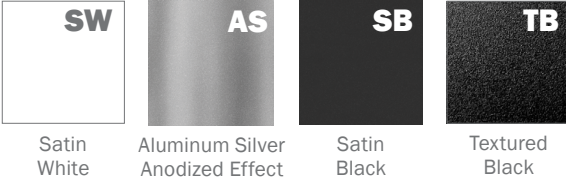
- 4.5" canopy per power feed location.
- Canopy finish is always white.
- Contact ALW for alternate colors.



FINISHES

Standard finishes are available at no additional charge.

STANDARD FINISHES

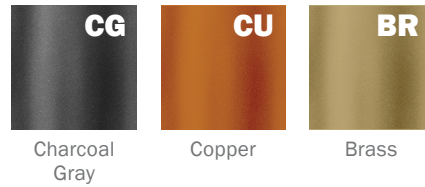


PREMIUM FINISHES

BASIC POWDER COAT



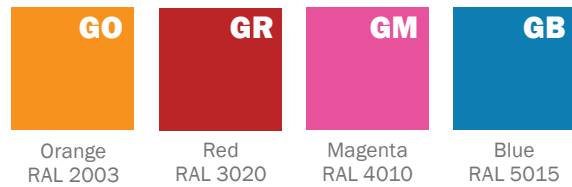
METALLIC POWDER COAT



SATIN ANODIZED EFFECT POWDER COAT



GLOSS POWDER COAT (80-95% GLOSS)



Contact ALW Quotes for sample paint finish swatches.

SPECIAL ORDER FINISHES*



RAL CLASSIC COLORS (80-95% GLOSS): RAL_ _ _ _

Most RAL Classic Colors are available for a minimum setup fee. On your specification submittal choose your RAL color by entering the 4-digit RAL code (Ex: RAL 3003). See www.alw-inc.com/resources/finishes



CUSTOM COLOR MATCH: CCM_ _ _ _

Custom powder coat color matching is available for a premium setup fee. Consult ALW for additional information.

*An individual setup fee will apply to each unique Special Order Finish per purchase order. (ex: RAL 5023 and RAL 2008 are specified for multiple line items on a purchase order. 2x setup fees will apply)

*Printed or on-screen colors are only approximations - consult actual Color Chip Set before specifying



PERFORMANCE DETAILS

OUTPUT	DELIVERED LUMENS/FT	EFFICACY (LM/W)	WATTS/FT ¹¹	CRI OPTIONS	CCT OPTIONS
LOW¹²	635	Up to ~103	6.2	80 90	2700K (90CRI Only) 3000K 3500K 4000K 5000K
MED¹²	870		8.4		
HI¹²	1100		10.7		
TUNE	WW: 416, CW: 450	Up to ~107	8.4	90+	
RGB¹³	125	N/A	5	N/A	
RGBW¹⁴	RGB: 122 RGB+W: 325 White Only: 203		5	80 (White Chip)	2700K - 6500K

¹¹ Lumens/Watt and Watts/ft have been calculated assuming a driver efficiency of 85%. Depending on field conditions, actual measured values may fluctuate by 5-8%..

¹² Performance calculations are based on LM-79 test of HI output at 80 CRI and 4000K. LOW and MED calculations are extrapolated values.

¹³ Performance calculations are derived from LM-79 test with all RGB LEDs illuminated (Red, Green, Blue).

¹⁴ Performance calculations are derived from the following LM-79 tests: 1) RGB LEDs illuminated, 2) RGB+W LEDs illuminated, 3) White LED only illuminated.



DRIVERS

PRODUCT CODE	DESCRIPTION
N	None. Choose when indirect lambing is not desired.
V00	0-10V dimming down to 0% (dim to off).
V01	0-10V dimming down to 1%.
V05	0-10V dimming down to 5% (Down to 10% for TUNE lambing).
P01	Driver supports both TRIAC Forward Phase 2-Wire and ELV Reverse Phase 3-Wire dimming controls.
LDE1	(LDE1) Lutron Hi-lume 1% EcoSystem LED driver with Soft-on, Fade-to-Black dimming technology.
TSERIES	Lutron T-Series Tunable White Class 2 LED Driver (For use with Lutron Quantum Control Systems)
ELDV0	eldoLED 0/10V dimming down to 0% (when choosing nLight Air integral sensors a compatible eldoLED LEDcode version will be specified)
ELDDW	eldoLED 0/10V dim-to-warm dimming down to 0% (specify with TUNE LED lambing. Driver will be programmed with LightShape dim-to-warm setting)
DALI	DALI flicker-free dimming down to 0%.
DMX	DMX flicker-free dimming down to 0%.
POEM	Molex CoreSync PoE LED Driver. Contact ALW to assist with your project.
POEI	IGOR PoE LED Driver. Contact ALW to assist with your project.
POEN	NuLEDS PoE LED Driver. Contact ALW to assist with your project.
POE	Specify a PoE driver of your choice. Fixture comes with low voltage leads and no LED driver. Contact ALW to assist with your project

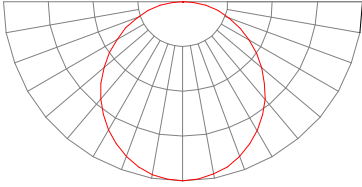
*Most drivers can be programmed to specific dimming levels if desired. Contact ALW for specific dimming level requests.
 ALW lighting fixtures are intended for use with a wide range of sensors, lighting controls, LED drivers, and building management systems. If there are specific components required for your application that aren't listed on this spec sheet, please contact ALW customer support today to specify a compatible solution of your choice.

DRIVER/LED LAMPING COMPATIBILITY						
	STD	TUNE	RGB	RGB(W)	CA TITLE 24 JA8/JA10 ¹⁵	IEEE P1789 & HD TV STUDIO ¹⁶
V00	●	●			●	
V01	●	●			●	
V05	●	●			●	
P01	●				●	
LDE1	●				●	●
TSERIES		●			●	●
ELDV0	●	PER REQUEST			●	●
ELDDW		●				
DALI	●	●			●	
DMX	●	●		●	PER REQUEST	PER REQUEST
POEM			PER REQUEST		●	●
POEI			PER REQUEST		●	●
POEN			PER REQUEST		●	●

● - Indicates compatibility
 *Standard lambing (STD) - LOW/MED/HI
¹⁵Fixtures specified with 90CRI 2700K, 3000K, 3500K, and 4000K lambing with applicable LED drivers have the ability to conform to California Title 24 JA8 and JA10 Appendices
¹⁶The following drivers conform to IEEE P1789 Flicker Standard: 'IEEE Recommended Practices for Modulating Current in High-Brightness LEDs for Mitigating Health Risks to Viewers'. These drivers may also be installed in HD TV Studio applications utilizing high frequency camera equipment.



PHOTOMETRICS

OPTIC	POLAR PLOT (CD)	MTG HEIGHT	LIGHT LEVEL (FC)	SPACING CRITERION (SC) ¹⁷ (0° - 180°) (90° - 270°)	MAX INTENSITY (CD)	OUTPUT (LM/FT)
EXT/F		6 ft	21.8	1.24 1.24	784.4	1100
		8 ft	12.3			
		10 ft	7.8			
		12 ft	5.4			
		14 ft	4			
		16 ft	3.7			

*Photometric calculations based on MAX 4000K 80 CRI fixture combination. Actual results may vary in the field.

For footcandle and output multipliers refer to the [ALW IES File Multipliers Chart](#).

¹⁷Spacing criterion refers to maximum distance luminaires can be spaced to provide uniform illumination on the working plane or surface.
Luminaire spacing = Spacing Criterion (SC) x Mounting Height (MH) (ex. 1.14 (SC) x 10' (MH) = 11.4' Luminaire Spacing).



ADDITIONAL OPTIONS & SPECIFICATIONS

LED PERFORMANCE

> 54,000 hours at 70% lumen maintenance, LM80 / TM-21

HOUSING

100% recyclable, extruded architectural grade 6061 aluminum with a 0.08" minimum wall thickness.

LENS OPTIONS

Extruded, twin-layered, high-impact acrylic. EXT is white and extra diffuse with minimal- to no-source visibility.

SAFETY & REGULATORY

Fixtures specified with 90CRI, 2700K, 3000K, 3500K, and 4000K lamping with applicable LED drivers have the ability to conform to **California Title 24 JA8 and JA10** Appendices. EldoLED drivers can conform to IEEE P1789 Flicker Standard: 'IEEE Recommended Practices for Modulating Current in High-Brightness LEDs for Mitigating Health Risks to Viewers' .

Contact [ALW customer support](#) today and we can help you with your project requirements.

ETL Listed (U.S. & Canada). Suitable for wet locations. Conforms to UL std. 1598, Luminaires. Certified to CSA std. C22.2#250.0:2008 Ed. 3+G1;G2.

Recessed models are Type IC Rated and suitable for installation with direct contact to building insulation.

WARRANTY

Limited 5-year warranty. Details: alw-inc.com/warranty

IP RATING

Fixture and mounting not rated for high wind environments.

IP 6 6

SOLID OBJECT INGRESS LEVEL	WATER INGRESS LEVEL
6	6
Dust tight	Protected against powerful water jets and heavy seas

OPERATING TEMPERATURE

Luminaire should be installed and operated ONLY in locations where the ambient temperature ranges from -4 °F to 122 °F (-20 °C to 50 °C). Luminaire operation in environments outside the listed temperature range voids the warranty AND may damage the product or adversely impact lamp life, lumen output and color consistency.

CONTROLS, SENSORS, & LED DRIVER

ALW lighting fixtures are intended for use with a wide range of sensors, lighting controls, LED drivers, and building management systems. Our component portfolio is continually expanding to adopt to the latest technologies and specification needs. We currently support integration with Lutron, Enlighted, nLight, Cooper Wavelinx, eldoLED, Molex PoE, NuLEDs PoE, Igor PoE, Osram, Philips, and more. If there's a component or system needed that you don't see on the spec sheet please contact [ALW customer support](#) today so we can review your requirements.

WEIGHT

The LP3.5WL weighs approximately 3.5lbs. per linear foot. Weight may vary slightly depending on lamping, driver, or additional/emergency options selected.