



MOONRING 1.5 & 3

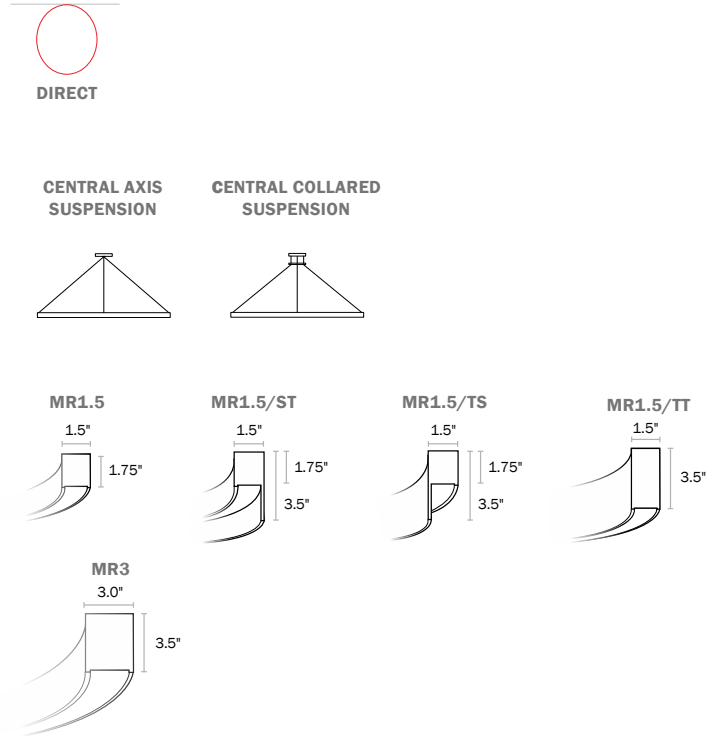
THE CORDLESS COLLECTION: POWERED SUSPENSION
MR1.5/MR3 | SUSPENDED



SPECIFICATIONS

PROFILE	Ring — 1.5in. & 3in. aperture — 1.5in. to 3in. wall height
SIZES	2ft. - 6ft. diameter (custom diameters available)
LED OUTPUT	1,500lm - 14,200 lm (238lm/ft - 1129 lm/ft)
CCT/CRI	2700K/3000K/3500K/4000K • 80 or 90+ CRI
DIMMING/ DRIVER	Integral or Remote Driver: 0-10V, PoE (Molex, Igor, NuLEDs). Dimming to 1% for select models.
POWER	22W - 147W per ring
INPUT	120VAC, 277VAC
OPTICS	Diffused acrylic lens — direct/indirect
FINISHES	17 standard finishes at no extra charge Custom finishes available Two-tone paint (select models available with extra charge)
MATERIAL	6061 Extruded & Welded Aluminum
ENVIRONMENT	Indoor, dry location only

DISTRIBUTIONS & PROFILES



Not to scale. Dimensions are nominal. Consult factory for CAD drawing

*Safety and Performance information available on last page. Weights and other specifications available on pages 6-7.





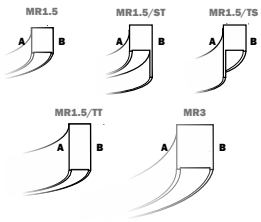
PRODUCT SPECIFICATION SHEET



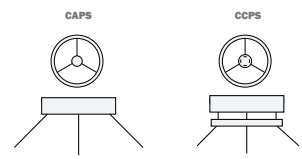
EXAMPLE: MR1.5/TS — D3 — CAPS — MED/90/3500 — V00 — LENS — AS/SW — BA — N — UNV — EMC — MLX

1. BASE MODEL (CHOOSE 1)	2. NOMINAL SIZE* (CHOOSE 1)	3. MOUNTING (CHOOSE 1)	4. LED LAMPING (CHOOSE 1 FOR EACH)
--------------------------	-----------------------------	------------------------	------------------------------------

<p>QS MR1.5 1.5", A: short, B: short</p> <p>MR1.5/ST 1.5", A: short, B: tall</p> <p>MR1.5/TS 1.5", A: tall, B: short</p> <p>MR1.5/TT 1.5", A: tall, B: tall</p> <p>MR3 3.0", A: tall, B: tall</p>	<p>D2 2' (24")</p> <p>D3 3' (36")</p> <p>D4 4' (48")</p> <p>D5 5' (60")</p> <p>D6 6' (72")</p>	<p>QS CAPS Central Axis Powered Suspension</p> <p>QS CCPS Central Collared Powered Suspension</p>	<p>A. OUTPUT (MR1.5/MR3)</p> <p>QS MIN (238/376 lm/ft) QS 80 2700K</p> <p>QS LOW (358/565 lm/ft) QS 90 3000K</p> <p>QS MED (477/753 lm/ft) QS 3500K</p> <p>CSTM/_____* (Enter lumens in product code above. Ex. 0100=100lm/ft) QS 4000K</p>
--	---	---	--



*Dimensions refer to ring outer diameter. Custom diameters available upon request



¹ Consult ALW for custom lumen packages.

5. DRIVER (CHOOSE 1)	6. LENS — DIRECT	7. FINISH* (CHOOSE 1 FOR EACH WALL)	8. FINISH — CANOPY (CHOOSE 1)
----------------------	------------------	-------------------------------------	-------------------------------

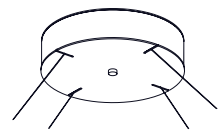
<p>QS V01 (0-10V, dim to 1%)</p> <p>QS V05 (0-10V, dim to 5%)</p> <p>POEM (POE Molex)</p> <p>POEI (POE IGOR)</p> <p>POEN (POE Nuleds)</p> <p>POE* (POE Ready)</p>	<p>QS LENS Extra diffuse lens</p>	<p>A B</p> <p>N* None.</p> <p>STANDARD FINISHES</p> <p>QS SW <input type="checkbox"/> Satin White</p> <p>QS SB <input type="checkbox"/> Satin Black</p> <p>QS AS <input type="checkbox"/> Aluminum Silver Anodized Effect</p> <p>QS TB <input type="checkbox"/> Textured Black</p> <p>QS BA <input type="checkbox"/> Brushed Aluminum</p> <p>PREMIUM FINISHES</p> <p>--- See chart on page 5 for premium finishes. Manually type in the finish code (Ex: OB = Oil-Rubbed Bronze)</p> <p>SPECIAL ORDER FINISHES*</p> <p>RAL_____ Specify RAL Classic Color (Ex: RAL 3003)</p> <p>CCM_____ Custom Color Match</p>	<p>STANDARD FINISHES</p> <p>QS SW <input type="checkbox"/> Satin White</p> <p>QS SB <input type="checkbox"/> Satin Black</p> <p>QS AS <input type="checkbox"/> Aluminum Silver Anodized Effect</p> <p>QS TB <input type="checkbox"/> Textured Black</p> <p>QS BA <input type="checkbox"/> Brushed Aluminum</p> <p>PREMIUM FINISHES</p> <p>--- See chart on page 5 for premium finishes. Manually type in the finish code (Ex: OB = Oil-Rubbed Bronze)</p> <p>SPECIAL ORDER FINISHES*</p> <p>RAL_____ Specify RAL Classic Color (Ex: RAL 3003)</p> <p>CCM_____ Custom Color Match</p>
---	--	---	--

⁵ See "Driver", "Sensor" and lamping charts for driver details and sensor compatibility.

⁶ Choose desired PoE solution not listed. Contact customer service to review and confirm the PoE system of your choice

^A: Inside Wall, ^B: Outside Wall. Wall diagram on page 5. Leave "B" unselected for MR1.5 SS, TT, and MR3. Manually type in the finish code for special order finishes.

⁷ Choose when ST or TS base models are not specified.



9. FINISH — COLLAR (CHOOSE 1)	10. VOLTAGE (CHOOSE 1)	11a. EMERGENCY OPTIONS (OPTIONAL, CHOOSE 1)	11b. SENSOR OPTIONS* (OPTIONAL, CHOOSE 1)
-------------------------------	------------------------	---	---

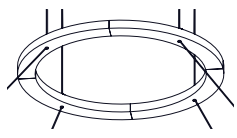
<p>N None</p> <p>A Match finish of Ring Surface (A).</p> <p>B Match finish of Ring Surface (B).</p> <p>C Match finish of Canopy.</p>	<p>QS UNV Universal Voltage (120VAC-277VAC)</p>	<p>QS EMC^{4,5} Emergency Circuit (1x Emergency Circuit can be applied to each Moonring)</p>	<p>WLNX/___ (Cooper Wavelinx)</p> <p>ENLGH/___ (Enlighted)</p> <p>FCJS/___ (Lutron)</p> <p>FCJS/S/___ (Lutron, occ/daylight sensor)</p> <p>MLX (Molex POE)</p> <p>NLT (nLight wired)</p> <p>NLTAIR (nLight AIR wireless)</p> <p>QS OS/PH/HV/___ (Hubbel WASP remote occ/daylight sensor)</p>
--	--	---	--

⁹ Note: A substitute paint finish for the collar may be chosen (other than the matching finishes above). However, an additional setup fee will added to the total order, regardless if a Standard Finish or Special Order Finish is specified. Please contact customer service for this custom request.

¹⁰ Collar only applies if choosing CCPS as a mounting option

⁴ When choosing EMC, roughly half of a full Moonring will be wired to the Emergency Circuit with exceptions to configurations in the note below.

⁵ If the following Moonring configurations are specified with EMC, the full unit will be EMC due to electrical limitations: D2 (Min, Low, Hi) and D3 (Min, Low, Hi).



^{11b} Quickship availability on occupancy and photocell/daylight sensors may vary. Contact ALW for more information.

^{11b} Default quantity is 1 sensor per 8ft, type alternate quantity into product code above if desired. Sensor descriptions available on page 7.

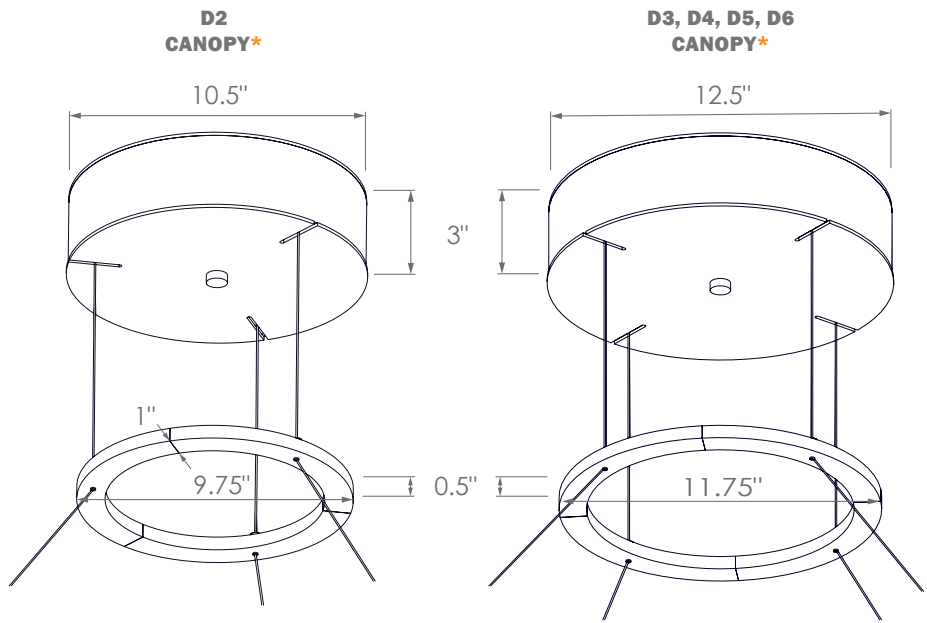
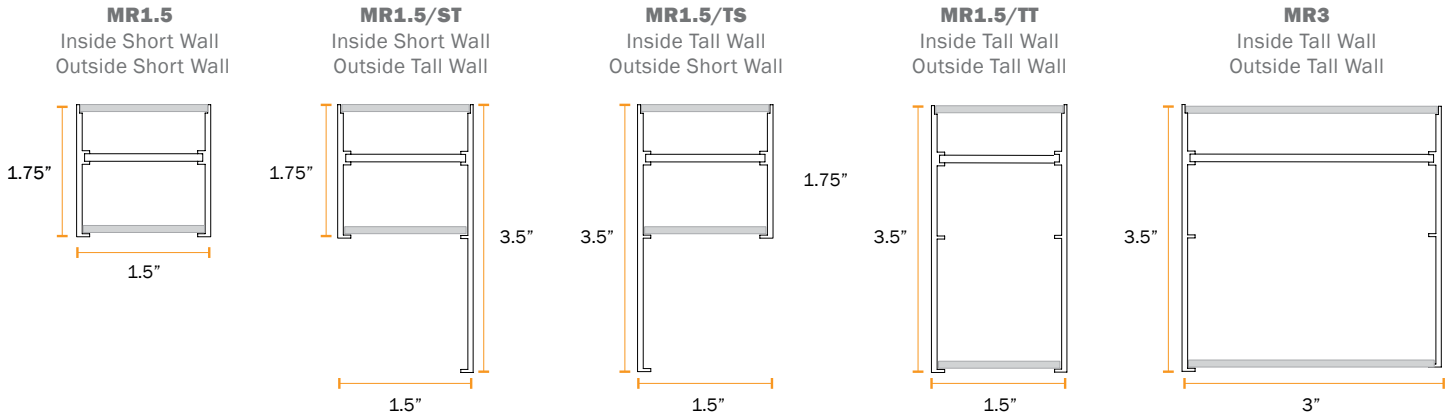
^{11b} Not all sensors are compatible with all drivers. See "Driver",

QS = QuickShip-qualifying option. For the entire luminaire configuration to be QuickShip-eligible, ALL options specified in the configuration must be ones notated with "QS"

NOTE: Maximum of 25 rings of Quickship-eligible product per order.



MECHANICAL DIAGRAMS



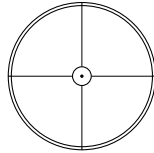
*Quantity of suspension points vary. See 'Performance & Mounting Details' chart on pages 6-7 for more details. Collar option is only included when specifying CCPS (Central Collared Powered Suspension) as mounting option. See page 4 for more details.



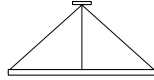
MOUNTING OPTIONS

CENTRAL AXIS POWERED SUSPENSION (CAPS)

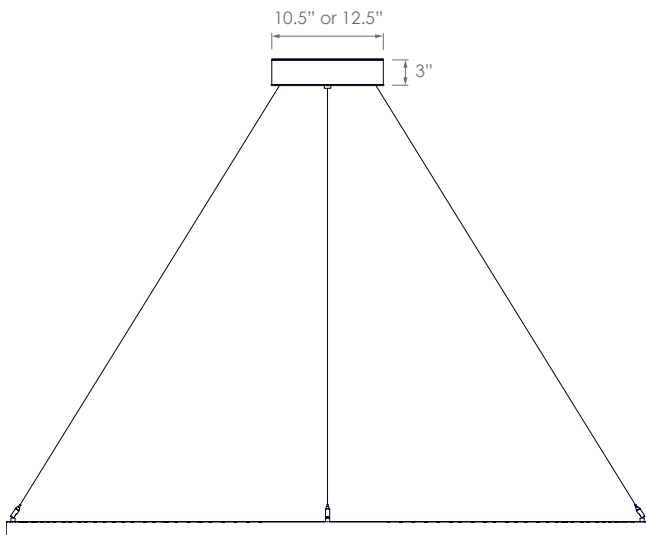
- 3" depth central axis canopy with integrated LED driver. All aircraft cables feed to canopy. Aircraft cable standard length is 10ft.



Plan View

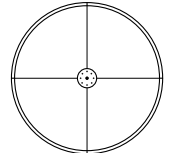


Elevation View

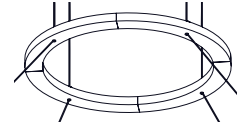


COLLARED CENTRAL POWERED SUSPENSION (CCPS)

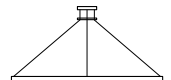
- 3" depth central axis canopy with integrated LED driver, white central axis canopy and - 0.5" depth collared ring. All aircraft cables feed through collar to canopy. Aircraft cable standard length is 10ft.



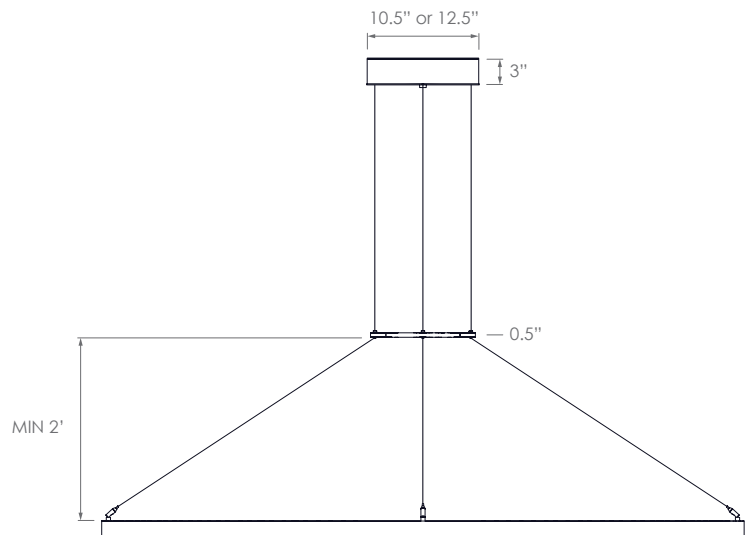
Plan View



Collar Detail



Elevation View

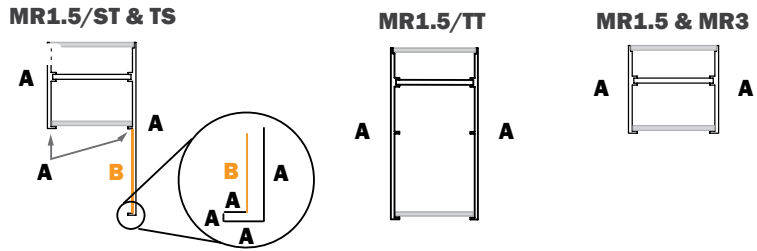
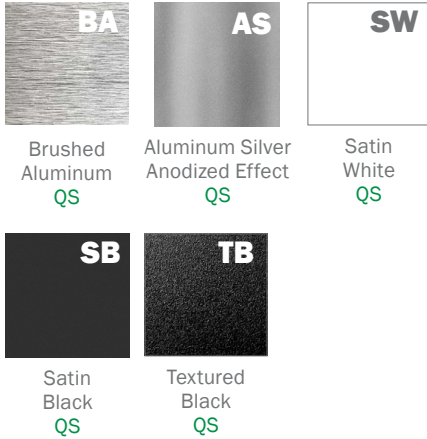




FINISHES

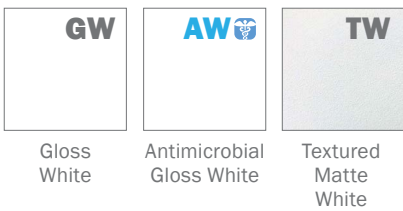
Standard finishes are available at no additional charge and no extended lead time for standard configurations.
 Two-tone paint options available for select models with extra charge.
 An additional charge will apply when choosing a Substitute Standard Finish for Collar mounting options.
 See step "10. FINISH - COLLAR" for more information

STANDARD FINISHES - QS ELIGIBLE

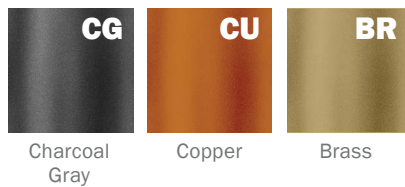


PREMIUM FINISHES

BASIC POWDER COAT



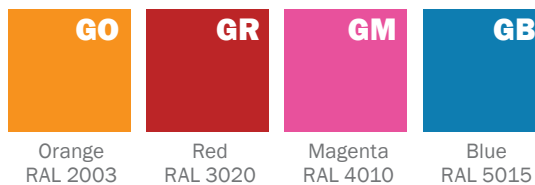
METALLIC POWDER COAT



SATIN ANODIZED EFFECT POWDER COAT



GLOSS POWDER COAT (80-95% GLOSS)



Contact ALW Quotes for sample paint finish swatches.

SPECIAL ORDER FINISHES*



RAL CLASSIC COLORS (80-95% GLOSS): RAL_ _ _ _

Most RAL Classic Colors are available for a minimum setup fee. On your specification submittal choose your RAL color by entering the 4-digit RAL code (Ex: RAL 3003). See www.alw-inc.com/resources/finishes



CUSTOM COLOR MATCH: CCM_ _ _ _

Custom powder coat color matching is available for a premium setup fee. Consult ALW for additional information.

*An individual setup fee will apply to each unique Special Order Finish per purchase order.
 (ex: RAL 5023 and RAL 2008 are specified for multiple line items on a purchase order. 2x setup fees will apply)

*Printed or on-screen colors are only approximations - consult actual Color Chip Set before specifying



PERFORMANCE DETAILS – MR1.5⁶

RING DIAMETER	OUTPUT TYPE⁷	LUMENS (LM)⁷	WATTS (W)	POWER DROPS⁸	# OF DRIVERS INTEGRATED IN CANOPY	SUSPENSION POINTS	FIXTURE SECTIONS	APPROX. WEIGHT (LBS)	
D2 (MR1.5)	MIN	1500	22	1	1	3 Total (2 Powered)	1x Ring	Ring: 8.2 lbs Small Canopy: 6.5 lbs Small Collar: 1.3 lbs Total: 16 lbs	
	LOW	2250	35		1				
	MED	3000	47		1				
D3 (MR1.5)	MIN	2250	34		1	3 Total (2 Powered)		3 Total (2 Powered)	Ring: 12.25 Large Canopy: 8.9 lbs Large Collar: 1.7 lbs Total: 22.85 lbs
	LOW	3375	54		1				
	MED	4500	72		1				
D4 (MR1.5)	MIN	3000	46		1	4 Total (2 Powered)		4 Total (2 Powered)	Ring: 16.4 Large Canopy: 8.9 lbs Large Collar: 1.7 lbs Total: 27 lbs
	LOW	4500	73		1				
	MED	6000	97		2				
D5 (MR1.5)	MIN	3750	58		1	4 Total (2 Powered)		4 Total (2 Powered)	Ring: 20.4 Large Canopy: 8.9 lbs Large Collar: 1.7 lbs Total: 31 lbs
	LOW	5600	92		2				
	MED	7500	122		2				
D6 (MR1.5)	MIN	4500	70		2	4 Total (4 Powered)		4 Total (4 Powered)	Ring: 24.5 Large Canopy: 8.9 lbs Large Collar: 1.7 lbs Total: 35.1 lbs
	LOW	6750	110		2				
	MED	9000	147		2				

⁶Performance calculations are based on the following LM-79 test: 4000K, 80CRI, MED Output. LOW and MIN are extrapolated values.

⁷Output/lumens are customizable up to MED output at no additional cost. If a custom lumen package is desired please contact your agent.

⁸Power Drop refers to the total quantity of main power feeds required to power the fixture at the canopy box.



PERFORMANCE DETAILS – MR3⁶

RING DIAMETER	OUTPUT TYPE ⁷	LUMENS (LM) ⁷	WATTS (W)	POWER DROPS ⁸	# OF DRIVERS INTEGRATED IN CANOPY	POWERED SUSPENSION POINTS	FIXTURE SECTIONS	APPROX. WEIGHT (LBS)	
D2 (MR3)	MIN	2350	22	1	1	3 Total (2 Powered)	1x Ring	Ring: 8.2 lbs Small Canopy: 6.5 lbs Small Collar: 1.3 lbs Total: 16 lbs	
	LOW	3550	35		1				
	MED	4725	47		1				
D3 (MR3)	MIN	3550	34		1	3 Total (2 Powered)		3 Total (2 Powered)	Ring: 12.25 Large Canopy: 8.9 lbs Large Collar: 1.7 lbs Total: 22.85 lbs
	LOW	5300	54		1				
	MED	7100	72		1				
D4 (MR3)	MIN	4725	46		1	4 Total (2 Powered)		4 Total (2 Powered)	Ring: 16.4 Large Canopy: 8.9 lbs Large Collar: 1.7 lbs Total: 27 lbs
	LOW	7100	73		1				
	MED	9450	97		2				
D5 (MR3)	MIN	5900	58		1	4 Total (4 Powered)		4 Total (4 Powered)	Ring: 20.4 Large Canopy: 8.9 lbs Large Collar: 1.7 lbs Total: 31 lbs
	LOW	8900	92		2				
	MED	11800	122		2				
D6 (MR3)	MIN	7100	70	2	4 Total (4 Powered)	4 Total (4 Powered)	Ring: 24.5 Large Canopy: 8.9 lbs Large Collar: 1.7 lbs Total: 35.1 lbs		
	LOW	10625	110	2					
	MED	14200	147	2					

⁶Performance calculations are based on the following LM-79 test: 4000K, 80CRI, MED Output. LOW and MIN are extrapolated values.

⁷Output/lumens are customizable up to MED output at no additional cost. If a custom lumen package is desired please contact your agent.

⁸Power Drop refers to the total quantity of main power feeds required to power the fixture at the canopy box.



DRIVERS

PRODUCT CODE	DESCRIPTION
V01	0-10V dimming down to 1%.
V05	0-10V dimming down to 5% (Down to 10% for TUNE lamping).
POEM	Molex CoreSync PoE LED Driver. Contact ALW to assist with your project.
POEI	IGOR PoE LED Driver. Contact ALW to assist with your project.
POEN	NuLEDS PoE LED Driver. Contact ALW to assist with your project.
POE	Specify a PoE driver of your choice. Fixture comes with low voltage leads and no LED driver. Contact ALW to assist with your project

*Most drivers can be programmed to specific dimming levels if desired. Contact ALW for specific dimming level requests.
 ALW lighting fixtures are intended for use with a wide range of sensors, lighting controls, LED drivers, and building management systems. If there are specific components required for your application that aren't listed on this spec sheet, please contact ALW customer support today to specify a compatible solution of your choice.

DRIVER/LED LAMPING COMPATIBILITY			
	STD	CA TITLE 24 JA8/JA10 ⁹	IEEE P1789 & HD TV STUDIO* ¹⁰
V01	●	●	
V05	●	●	
POEM	PER REQUEST	●	●
POEI	PER REQUEST	●	●
POEN	PER REQUEST	●	●

- - Indicates compatibility
- *Standard lamping (STD) - MIN/LOW/MED
- ⁹Fixtures specified with 90CRI 2700K, 3000K, 3500K, and 4000K lamping with applicable LED drivers have the ability to conform to California Title 24 JA8 and JA10 Appendices
- ¹⁰The following drivers conform to IEEE P1789 Flicker Standard: 'IEEE Recommended Practices for Modulating Current in High-Brightness LEDs for Mitigating Health Risks to Viewers'. These drivers may also be installed in HD TV Studio applications utilizing high frequency camera equipment.



SENSORS

	PRODUCT CODE	DESCRIPTION	Location
	N	None. Choose when sensors are not desired.	-
COOPER WAVELINX	WLNX	Fixture is built with 0/10V wiring to connect to Wavelinx Wireless sensors and power/relay packs (sensors and equipment not provided by ALW)	Remote
ENLIGHTED™	ENLGH	Enlighted remote connected lighting smart sensor - occ/daylight/networking (Enlighted Part: SU-5S-H-CL)	Remote
LUTRON VIVE	FCJS	Lutron® Vive remote RF wireless fixture control (Lutron Part: FCJS-ECO or FCJS-010)	Remote
	FCJS/S	Lutron® Vive remote RF wireless fixture control + daylight/occ sensor (Lutron Part: FCJS-ECO or FCJS-010, & FC-Sensor)	Remote
MOLEX POE CORESYNC	MLX	Molex PoE sensors for use with Molex/PoE drivers. Customer will need to determine who to purchase PoE equipment from	Remote
NLIGHT® WIRED	NLT	Fixture is built with wiring connections to connect to nLight® Wired remote sensors and power/relay packs purchased through distributor by agency	Remote
NLIGHT WIRELESS	NLTAIR	Fixture is built with wiring connections to connect to nLight® Air remote sensors and power/relay packs purchased through distributor by agency	Remote
VALUE SENSORS	OS/PH/HV	Hubbell WASP High Voltage 0-10V remote surface mount occ/daylight sensor. 120/277/347VAC input (Hubbell Part: WSPDSMUNV) Automated Dimming Functionality: Connect fixture 0/10V wires to sensor in the field. Adjust occ/photo cell settings as desired. On/Off or Manual Dimming Functionality: Turn photocell functionality OFF. Cap off 0/10V wires on sensor. Connect fixture 0/10V wires to wall dimmer in the field.	Remote

*All connected lighting sensors/systems must be programmed in the field by an electrical commissioner familiar with the system. Refer to the 'Sensor Compatibility' and 'Driver/Sensor Compatibility' charts to specify compatible sensors, LED lamping, and LED driver systems.

SENSOR COMPATIBILITY					
PRODUCT CODE		SENSOR TYPE	MAX MT HT	CA TITLE 24	STD*
COOPER WAVELINX	WLNX		15 ft	●	●
ENLIGHTED	ENLGH	OCCUPANCY/PHOTOCELL	40 ft	●	●
LUTRON VIVE	FCJS	WIRELESS CONTROL	12 ft	●	●
	FCJS/S	OCCUPANCY/PHOTOCELL	12 ft	●	●
MOLEX POE CORESYNC	MLX		16 ft	●	●
NLIGHT WIRED	NLT		15 ft	●	●
NLIGHT AIR WIRELESS	NLTAIR		15 ft (average)	●	●
VALUE SENSORS	OS/PH/HV	OCCUPANCY/PHOTOCELL	45 ft	●	●

● - Indicates compatibility ■ - On/off sensor functionality only

*Standard lamping (STD) - MIN/LOW/MED



SENSORS (CONT'D)

DRIVER/SENSOR COMPATIBILITY									
	WLNK	ENLGHT	FCJS	FCJS/S /	MLX	NLT	NLTAIR	OS/PH/HV	NO SENSOR
V01	●	●	●	●				▲	●
V05	●	●	●	●				▲	●
POEM					●				●
POEI	Sensor types will depend on the PoE system configuration. Contact ALW for details.								
POE	Sensor types will depend on the PoE system configuration. Contact ALW for details.								
POE	Sensor types will depend on the PoE system configuration. Contact ALW for details.								

● - Indicates compatibility ▲ - Driver/sensor can have dimming OR on/off functionality but not both ■ - On/off sensor functionality only

*Driver specifications provided upon request

**ALW lighting fixtures are intended for use with a wide range of sensors, lighting controls, LED drivers, and building management systems. If there are specific components required for your application that aren't listed on this spec sheet please contact ALW customer support today to specify a compatible solution of your choice.



ADDITIONAL OPTIONS & SPECIFICATIONS

LED PERFORMANCE

> 54,000 hours at 70% lumen maintenance, LM80 / TM-21

HOUSING

100% recyclable, extruded architectural grade 6061 aluminum with a 0.075" minimum wall thickness.

OPTICS

Extra diffused opal acrylic lens (LENS).

SAFETY & REGULATORY

Fixtures specified with 90CRI, 2700K, 3000K, 3500K, and 4000K lamping with applicable LED drivers have the ability to conform to **California Title 24 JA8 and JA10** Appendices. EldoLED drivers can conform to IEEE P1789 Flicker Standard: 'IEEE Recommended Practices for Modulating Current in High-Brightness LEDs for Mitigating Health Risks to Viewers'.

Contact [ALW customer support](#) today and we can help you with your project requirements.

ETL Listed (U.S. & Canada). Suitable for dry locations only.
Conforms to UL std. 1598, Luminaires.
Certified to CSA std. C22.2#250.0:2008 Ed. 3+G1;G2.

WARRANTY

Limited 11 year warranty. Details at [alw-inc.com](#)

OPERATING TEMPERATURE

Luminaire should be installed and operated ONLY in dry environments where the ambient temperature ranges from -4 °F to 122 °F (-20 °C to 50 °C). Luminaire operation in environments outside the listed temperature range voids the warranty AND may damage the product or adversely impact lamp life, lumen output and color consistency.

POWER CABLES

The Cordless Collection Powered Suspension Cables consist of 3-4x 1/16" dia powered aircraft cables. Unlike traditional aircraft cables that are made only of stainless steel, ALW's powered aircraft cables also contain a copper core for ultimate conductivity. Standard cable length is 10ft



WEIGHT

See "Performance & Lamping Details" Chart.

CONTROLS, SENSORS, & LED DRIVER

Currently, the Moonring Cordless Collection: Powered Suspension and Integrated LED Driver Canopy is compatible with Lutron and Enlighted control systems. All Lutron and Enlighted control modules are remotely installed from the LED Driver Canopy. If there's a component or system needed that you don't see on the spec sheet please contact [ALW customer support](#) today so we can review your requirements.