



CROWNE POINTE

RPD16 | SUSPENDED, WALL, SURFACE

STANDARD SIZES

Ceiling, Suspended Pendant, or Wall Mount Spotlight

LAMPING

LED - 83+ CRI - 2700K/3000K/3500K/4000K

Output: 2100lm (at 127 lm/W) per luminaire

Dimming down to 0%

FINISH

18 standard finishes available at no extra charge

RAL classic colors, TCI / Tiger Drylac catalog colors, and custom color match also available

CONSTRUCTION

Industrial Strength Extruded Aluminum





PRODUCT SUBMITTAL WORKSHEET

SAMPLE PRODUCT CODE

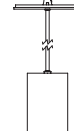
RPD16P – 3500 – 0/10V/S – BK – BK – ZIGZAG – UNV – EMB

1. BASE MODEL (CHOOSE ONE)

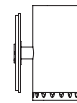
- RPD16C** Ceiling Mount Spotlight
- RPD16P** Suspended Spotlight Pendant with Colored Cord
- RPD16S** Wall Sconce Spotlight



RPD16C



RPD16P



RPD16S

2. LED LAMPING (CHOOSE ONE – 2100 LM AND 16.5 W PER LAMP)

- 2700** 2700K (very warm)
- 3000** 3000K (warm)
- 3500** 3500K (slightly warm)
- 4000** 4000K (neutral)

3. REMOTE DRIVER (CHOOSE ONE)

- 0/10V/S** 0-10V dimming down to 10% (Standard Dimming)
- 0/10V/1%** 0-10V dimming down to 1%
- 0/10V/0%** 0-10V premium dimming down to 0%
- ECOSYS1** Lutron Hi-lume 1% EcoSystem, constant current or constant voltage
- LTEA** Lutron Hi-lume 1% 2-wire TRIAC dimming (120V forward-phase only), constant current or constant voltage

4. ACCENT FINISH (CHOOSE ONE. SEE PAGE 7 FOR LARGER SWATCHES AND ADDITIONAL INFORMATION)

STANDARD FINISHES

ALUMINUM

- BA** Brushed Aluminum

BASIC POWDER COAT

- GW** Gloss White
- SW** Satin White
- AW** Antimicrobial Satin White
- TW** Textured Matte White
- TB** Textured Matte Black

METALLIC POWDER COAT

- SG** Silver Gray
- CG** Charcoal Gray
- CU** Copper
- BR** Brass

SATIN ANODIZED EFFECT POWDER COAT

- CS** Clear Silver
- OB** Oil-Rubbed Bronze
- DB** Dark Bronze
- SB** Satin Black

GLOSS POWDER COAT (80-95% GLOSS)

- GO** Orange (RAL 2003)
- GR** Red (RAL 3020)
- GM** Magenta (RAL 4010)
- GB** Blue (RAL 5015)

SPECIAL ORDER FINISHES

- RAL_____** Specify RAL Classic Color (Ex: RAL 3003) - Most RAL Colors are available for powder coat. See www.alwusa.com/finishes
- CAT_____** Specify Catalog Colors - Specify colors from the [Tiger Drylac](#) and [TCI](#) catalogs
- CCM_____** Custom Color Match - Specify a custom powder coat color match

SS051121-A.0




5. BODY FINISH (CHOOSE ONE. SEE PAGE 7 FOR LARGER SWATCHES AND ADDITIONAL INFORMATION)

STANDARD FINISHES

ALUMINUM

- BA**  Brushed Aluminum

BASIC POWDER COAT

- GW** Gloss White
 SW Satin White
 AW  Antimicrobial Satin White
 TW Textured Matte White
 TB Textured Matte Black

METALLIC POWDER COAT

- SG** Silver Gray
 CG Charcoal Gray
 CU Copper
 BR Brass




SATIN ANODIZED EFFECT POWDER COAT

- CS** Clear Silver
 OB Oil-Rubbed Bronze
 DB Dark Bronze
 SB Satin Black

GLOSS POWDER COAT (80-95% GLOSS)

- GO** Orange (RAL 2003)
 GR Red (RAL 3020)
 GM Magenta (RAL 4010)
 GB Blue (RAL 5015)

SPECIAL ORDER FINISHES

- RAL**_____  Specify RAL Classic Color (Ex: RAL 3003) - Most RAL Colors are available for powder coat. See www.alwusa.com/finishes
 CAT_____  Specify Catalog Colors - Specify colors from the [Tiger Drylac](#) and [TCI](#) catalogs
 CCM_____  Custom Color Match - Specify a custom powder coat color match

6. CORD COLOR (FOR SUSPENDED PENDANT ONLY – CHOOSE ONE)

- BK** Black
 ZIGZAG Black & White Zig-Zag
 WH White
 CC/___ Custom Color Cord Code (Select from Solid, Patterned, Neon or Shine options only and indicate code available on page 8)

7. VOLTAGE (CHOOSE ONE)

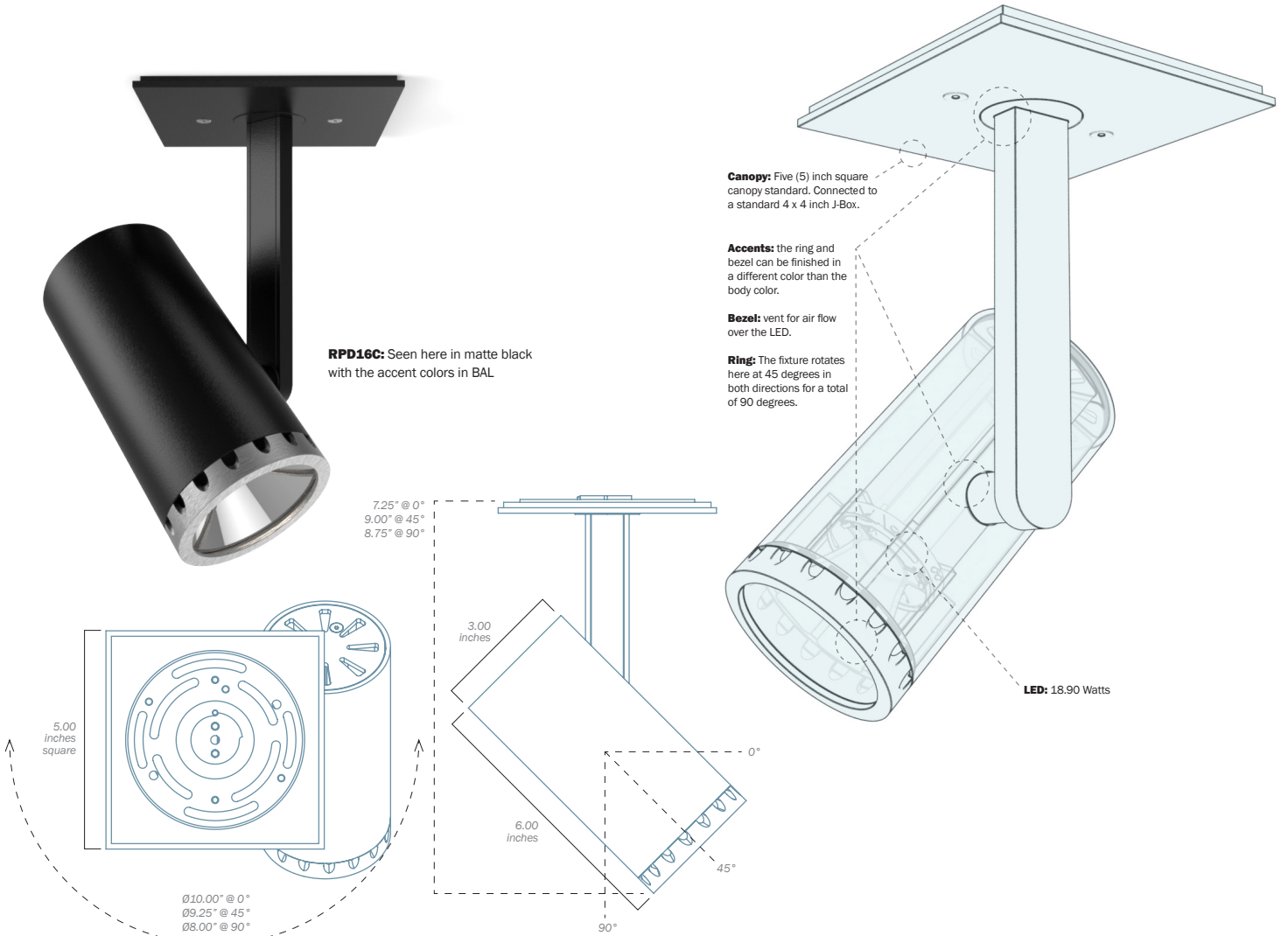
- UNV** Universal Voltage (120VAC-277VAC)
 347 347 Volt (*Driver options may be limited. Not available with EMB*)

8. EMERGENCY OPTIONS (OPTIONAL)

- EMB** Emergency Battery Pack. *Not available in 347V*

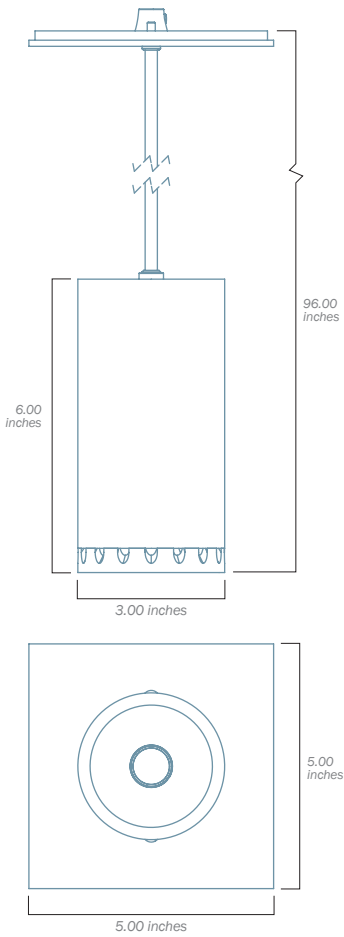


MECHANICAL DIAGRAMS – CEILING MOUNT (C)

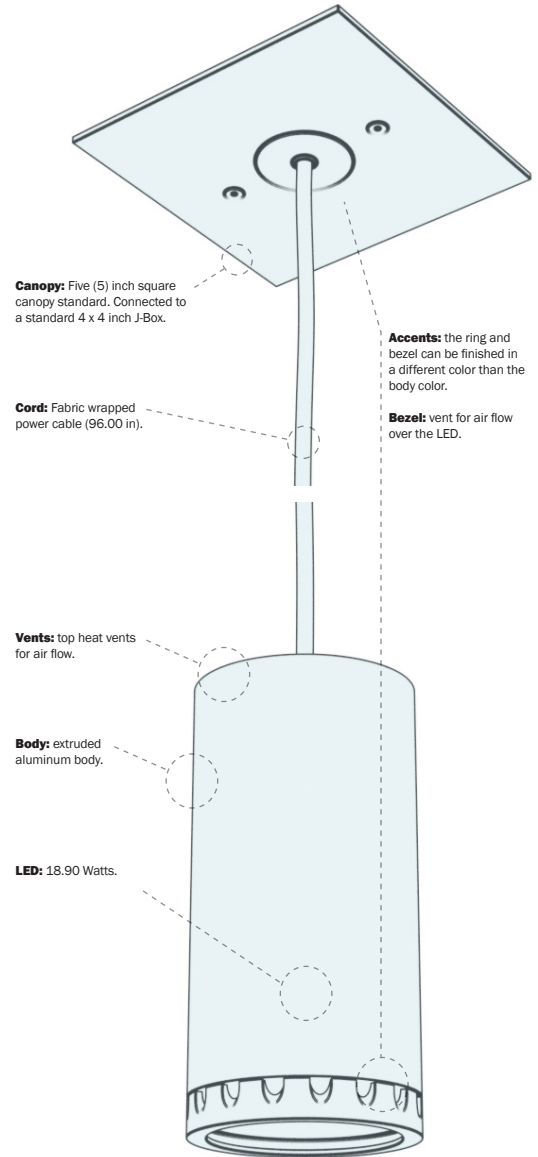




MECHANICAL DIAGRAMS – SUSPENDED PENDANT (P)

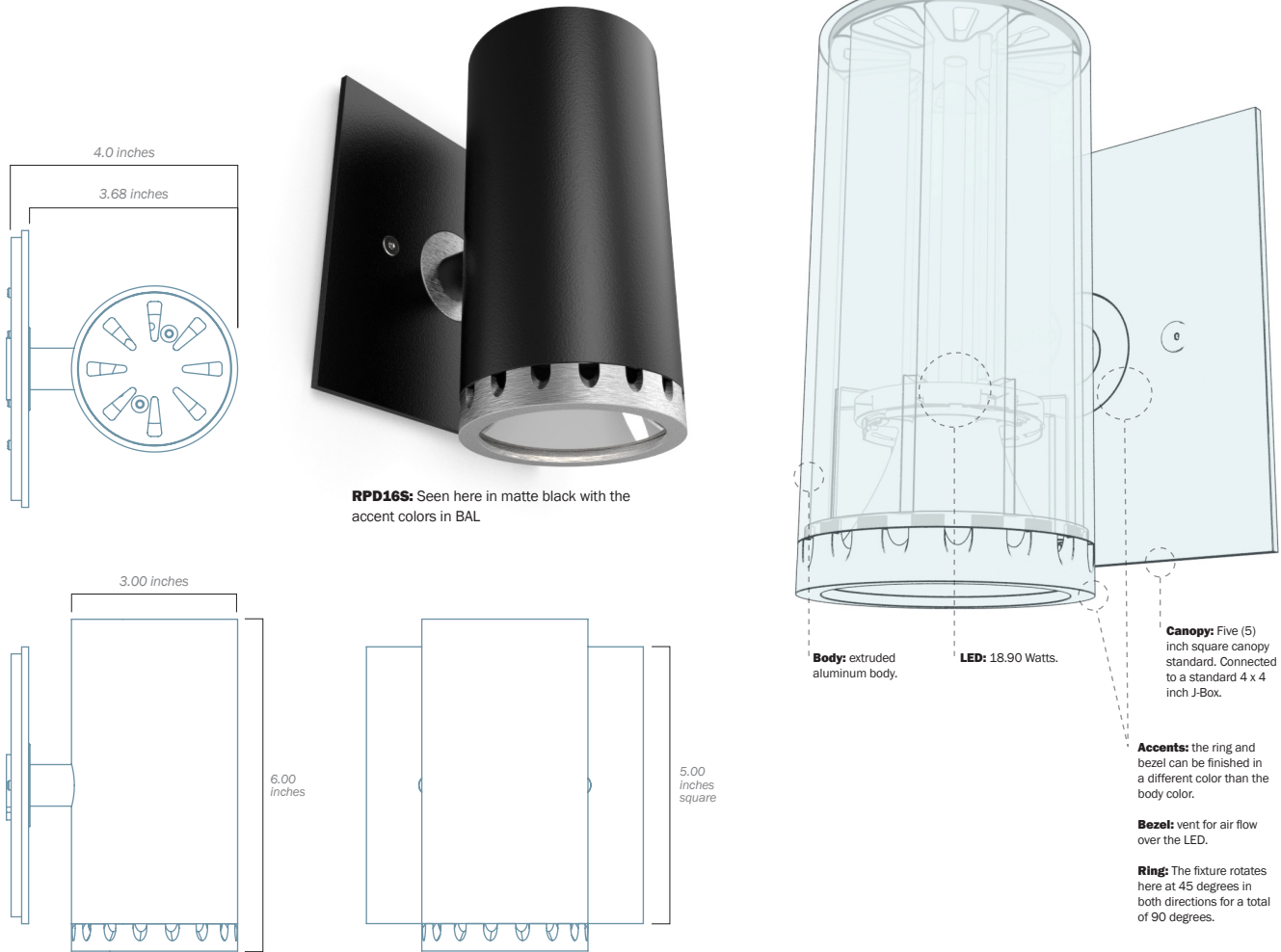


RPD16P: Seen here in matte black with the accent colors in BAL





MECHANICAL DIAGRAMS – WALL SCONCE (S)



CROWNE POINTE VOLTAGE DROP CHART FOR REMOTE DRIVERS – 27VDC

Use this chart to calculate maximum wire length between the fixture and remote driver. For best performance, ensure proper wire gauge is installed between the remote LED driver and canopy that is dropping power to your fixture. This chart only applies to RPD16 at 27VDC. Do not use this chart to calculate voltage drop for other fixtures.

WIRE GAUGE	18.9W 0.70A
18 AWG	82 ft.
16 AWG	136 ft.
14 AWG	221 ft.
12 AWG	356 ft.
10 AWG	571 ft.

SS051121-A.0



STANDARD FINISHES

Standard finishes are available at no additional charge.

ALUMINUM



Brushed Aluminum

BASIC POWDER COAT



Gloss White

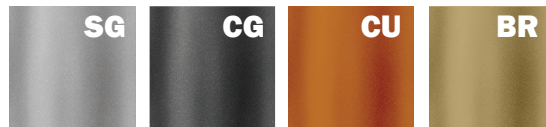
Satin White

Antimicrobial Satin White

Textured Matte White

Textured Matte Black

METALLIC POWDER COAT



Silver Gray

Charcoal Gray

Copper

Brass

SATIN ANODIZED EFFECT POWDER COAT



Clear Silver

Oil-Rubbed Bronze

Dark Bronze

Satin Black

GLOSS POWDER COAT (80-95% GLOSS)



Orange RAL 2003

Red RAL 3020

Magenta RAL 4010

Blue RAL 5015

SPECIAL ORDER FINISHES*



RAL CLASSIC COLORS (80-95% GLOSS): RAL_ _ _ _

Most RAL Classic Colors are available for a minimum setup fee. On your specification submittal choose your RAL color by entering the 4-digit RAL code (Ex: RAL 3003). See www.alwusa.com/finishes



CUSTOM COLOR MATCH: CCM_ _ _ _

Custom powder coat color matching is available for a premium setup fee. Consult ALW for additional information.



CATALOG COLORS: CAT_ _ _ _

The complete range of powder coat colors from Tiger Drylac and TCI catalogs are available for a minimum setup fee. Consult ALW for a catalog color you would like to specify.

*An individual setup fee will apply to each unique Special Order Finish per purchase order. (ex: RAL 5023 and RAL 2008 are specified for multiple line items on a purchase order. 2x setup fees will apply)



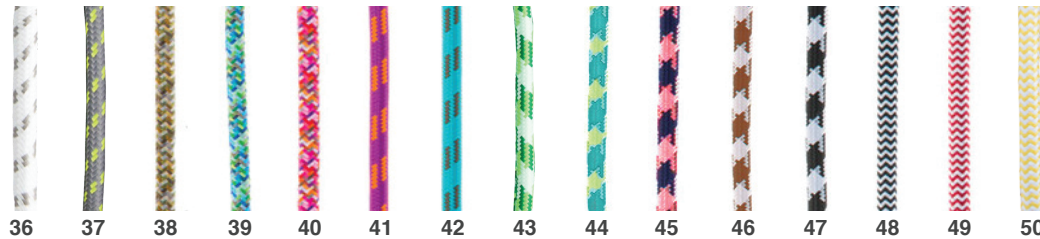
CLOTH CORD COLOR OPTIONS

For dry and damp locations only



Solid Color Cloth Cords

1. Peach
2. Pink
3. Neon Pink
4. Hot Pink
5. Neon Coral
6. Red
7. Adobe
8. Orange
9. Neon Orange
10. Goldenrod
11. Sunshine Yellow
12. Neon Yellow
13. Citrus Yellow
14. Olive Green
15. Kelly Green
16. Neon Green
17. Lime Green
18. Mint Green
19. Turquoise
20. Skyblue
62. Electric Blue
21. Cobalt Blue
22. Navy
23. Purple
24. Magenta
25. Blush
26. White
27. Silver
28. Gray
29. Black
30. Antique Brown
31. Chocolate Brown
32. Flax
33. Khaki
34. Sand
35. Ivory



Patterned Cloth Cords

36. White & Gray Dot
37. Gray & Citrus Yellow Dot
38. Neutral Tweed
39. Cool Tweed
40. Warm Tweed
41. Magenta & Orange Stripe
42. Turquoise & Brown Stripe
43. Green Argyle
44. Turq. & Yellow Houndstooth
45. Navy & Coral Houndstooth
46. Brown & Ivory Houndstooth
47. Black & White Houndstooth
48. Black & White Zigzag
49. Red & White Zigzag
50. Yellow & White Zigzag



Metallic Cloth Cords

51. Pearl Metallic
52. Champagne Metallic
53. Yellow Gold Metallic
54. Brass Metallic
55. Copper Metallic
56. Copper Penny
57. Currant Metallic
58. Bronze Metallic
59. Gunmetal
60. Black Patent
61. Black Satin

Specify **cloth cord color** in option section at the end of the part number
 Printed or on-screen colors are only approximations - consult sample before specifying

SS051121-A.0



ADDITIONAL OPTIONS & SPECIFICATIONS

HOUSING

100% recyclable, extruded architectural grade aluminum frame

SAFETY & REGULATORY

ETL Listed (U.S. & Canada). Suitable for dry locations only.
Conforms to UL std. 2108, Low Voltage Luminaires / Low Voltage Lighting Systems.
Certified to CSA std. C22.2#250.0:2008 Ed. 3+G1;G2.

OPERATING TEMPERATURE

Luminaire should be installed and operated ONLY in environments where the ambient temperature ranges from -4 °F to 122 °F (-20 °C to 50 °C). Luminaire operation in environments outside the listed temperature range voids the warranty AND may damage the product or adversely impact lamp life, lumen output and color consistency.