



CONDUIT CUTOUT OPTION

NOVA LARGE SURFACE MOUNT OVER J-BOX

NLSM & NLRM

PROJECT INFO

PO # _____

Job Name _____

Type _____

Required Must be signed & submitted w/ PO

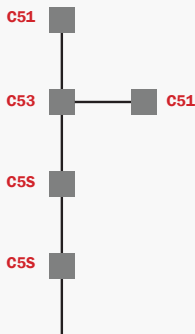
Approved _____

Signature _____

Date _____

STEP BY STEP

① draw the conduit layout



② count the cutout variations

variations	½ trade EMT conduit	QTY.	¾ trade EMT conduit	QTY.
none	C00		C00	
one cutout	C51	2	C71	
two at 90°	C5L		C7L	
two at 180°	C5S	2	C7S	
three cutout	C53	1	C73	
four cutout	C54		C74	

③ order by part number

from data sheet ordering logic

from fixture list below

Part Number	Qty
NLSM-C51-V-108035L9-NN-T4	2
NLSM-C5S-V-108035L9-NN-T4	2
NLSM-C53-V-108035L9-NN-T4	1

FIXTURE LIST (use one data sheet list per project type)

no conduit	Qty.	Complete part #
C00	_____	_____
1/2" conduit	Qty.	Complete part #
C51	_____	_____
C5L	_____	_____
C5S	_____	_____
C53	_____	_____
C54	_____	_____
3/4" conduit	Qty.	Complete part #
C71	_____	_____
C7L	_____	_____
C7S	_____	_____
C73	_____	_____
C74	_____	_____

variations	½ trade EMT conduit	QTY.	¾ trade EMT conduit	QTY.
none	C00		C00	
one cutout	C51		C71	
two at 90°	C5L		C7L	
two at 180°	C5S		C7S	
three cutout	C53		C73	
four cutout	C54		C74	

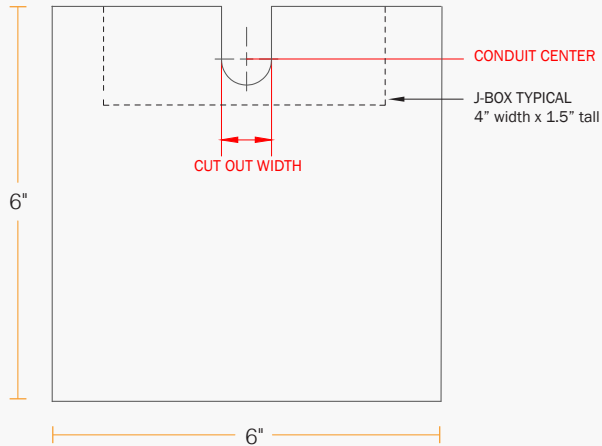


CONDUIT CUTOUT OPTION

NOVA LARGE SURFACE MOUNT OVER J-BOX

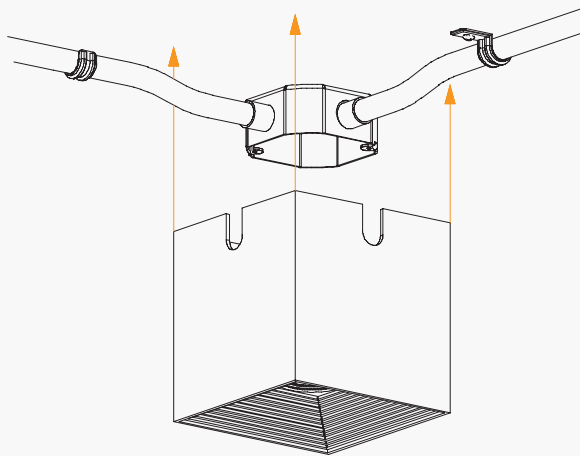
NLSM & NLRM

DIMENSIONS

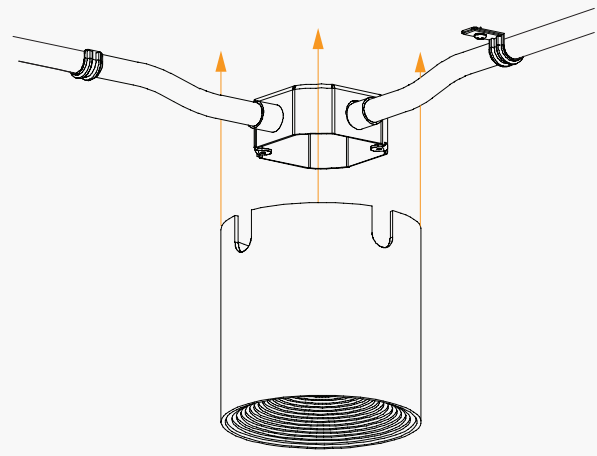


	1/2" trade EMT conduit	3/4" trade EMT conduit
cut out width	.79 in [20 mm]	1.0 in [25.5 mm]
conduit center	.83 in [21 mm]	.89 in [22.5 mm]

- Standard cutout are designed to work with 1.5" deep junction boxes
- Fits standard 3.5" and 4" round and octagonal junction boxes
- For other junction box / conduit sizes, please consult factory
- Junction boxes, conduit and conduit fittings provided by others
- Not to scale; dimensions are nominal. Visit our website for CAD drawings



NOVA LARGE SQUARE SURFACE MOUNT



NOVA LARGE ROUND SURFACE MOUNT



CONDUIT CUTOUT OPTION DEEP CANOPY PENDANT & SURFACE MOUNT

PROJECT INFO

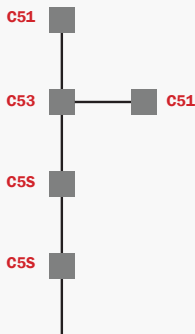
PO # _____
 Job Name _____
 Type _____

Required **Must be signed & submitted w/ PO**

Approved _____
 Signature _____
 Date _____

STEP BY STEP

① draw the conduit layout



② count the cutout variations

variations	½ trade EMT conduit	QTY.	¾ trade EMT conduit	QTY.
none	C00		C00	
one cutout	C51	2	C71	
two at 90°	C5L		C7L	
two at 180°	C5S	2	C7S	
three cutout	C53	1	C73	
four cutout	C54		C74	

③ order by part number

from data sheet ordering logic
 from fixture list below

Part Number	Qty
NLSM-C51-V-108035L9-NN-T4	2
NLSM-C5S-V-108035L9-NN-T4	2
NLSM-C53-V-108035L9-NN-T4	1

FIXTURE LIST (use one data sheet list per project type)

no conduit	Qty.	Complete part #
C00	_____	_____
1/2" conduit	Qty.	Complete part #
C51	_____	_____
C5L	_____	_____
C5S	_____	_____
C53	_____	_____
C54	_____	_____
3/4" conduit	Qty.	Complete part #
C71	_____	_____
C7L	_____	_____
C7S	_____	_____
C73	_____	_____
C74	_____	_____

variations	½ trade EMT conduit	QTY.	¾ trade EMT conduit	QTY.
none	C00		C00	
one cutout	C51		C71	
two at 90°	C5L		C7L	
two at 180°	C5S		C7S	
three cutout	C53		C73	
four cutout	C54		C74	

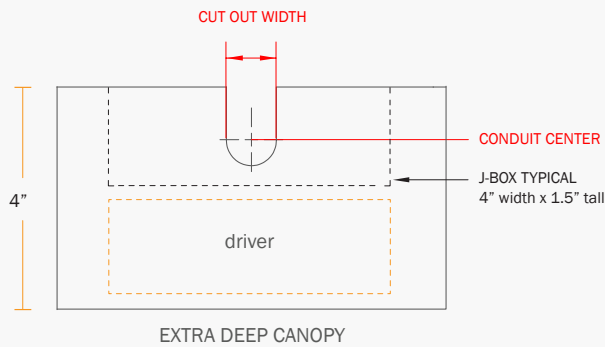
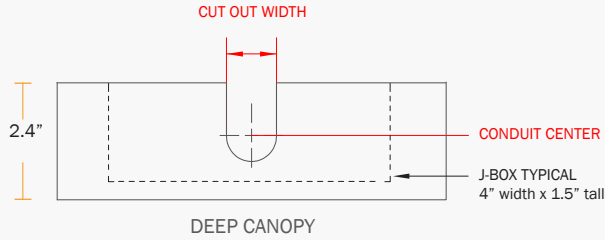


CONDUIT CUTOUT OPTION

DEEP CANOPY

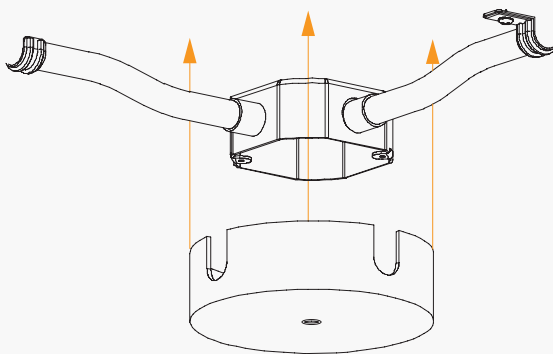
PENDANT & SURFACE MOUNT

DIMENSIONS

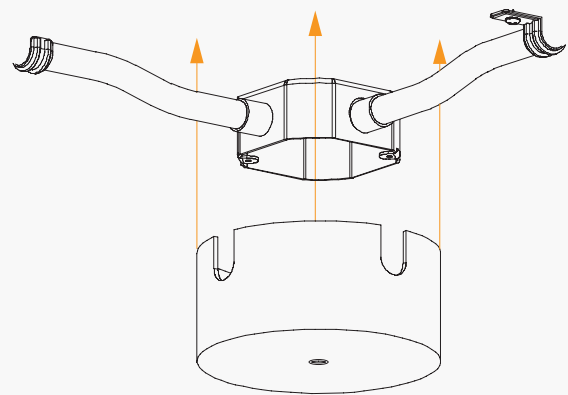


	1/2" trade EMT conduit	3/4" trade EMT conduit
cut out width	.79 in [20 mm]	1.0 in [25.5 mm]
conduit center	.83 in [21 mm]	.89 in [22.5 mm]

- Standard cutout are designed to work with 1.5" deep junction boxes
- Fits standard 3.5" and 4" round and octagonal junction boxes
- For other junction box / conduit sizes, please consult factory
- Junction boxes, conduit and conduit fittings provided by others
- Not to scale; dimensions are nominal. Visit our website for CAD drawings



DEEP CANOPY
for remote & internal
drivers only



EXTRA DEEP CANOPY
for canopy mounted drivers